

PARTS LIST

[UX-F70MD]

[UX-F72MD]

* All printed circuit boards and its assemblies are not available as service parts.

Area suffix

UB ----- Hong Kong

UF ----- China

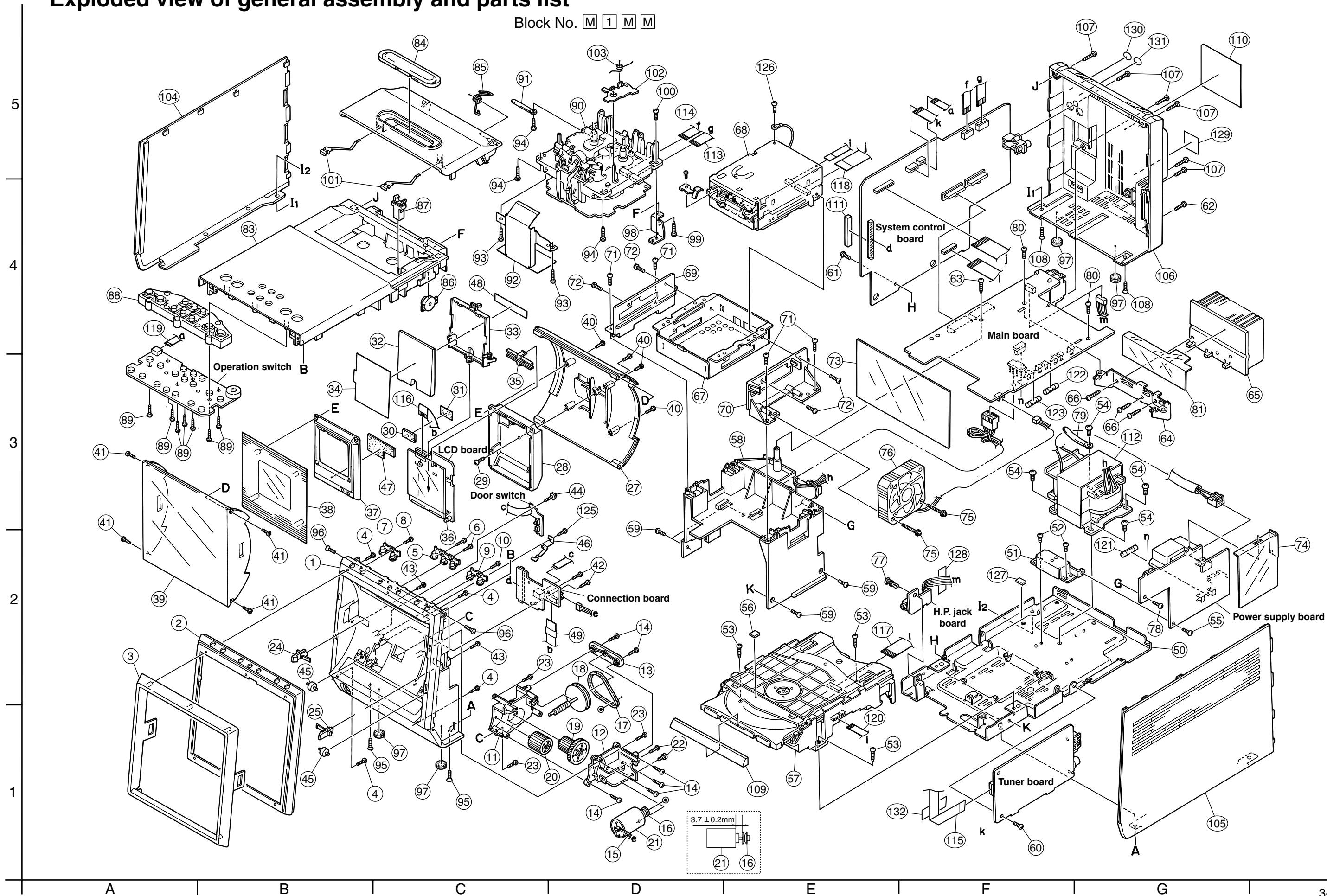
- Contents -

Exploded view of general assembly and parts list (Block No.M1)	3- 3
CD mechanism assembly and parts list (Block No.MB)	3- 6
MD mechanism assembly and parts list (Block No.ME)	3- 8
Cassette mechanism assembly and parts list (Block No.MP)	3-11
Electrical parts list (Block No.01~08)	3-13
Packing materials and accessories parts list (Block No.M3,M5)	3-26

< M E M O >

Exploded view of general assembly and parts list

Block No. M 1 M M



■ Parts list (General assembly)

Block No. M1MM

△	Item	Parts number	Parts name	Q'ty	Description	Area
	1	GV10076-007A	FRONT PANEL	1	UX-F70MD	
		GV10076-008A	FRONT PANEL	1	UX-F72MD	
	2	GV10077-001A	SUB FRAME	1		
	3	GV10078-001A	MAIN FRAME	1		
	4	QYSBSF2008Z	SCREW	4	FRONT PNL+MAIN	
	5	GV40190-001A	CONTROL BUTTON	1		
	6	QYSBSF2608Z	T.SCREW	2	FRONT+CONT.BOTTON	
	7	GV40197-001A	EJECT BUTTON A	1		
	8	QYSBSF2608Z	T.SCREW	1	FRONT+E.BOTTON+F.PANEL	
	9	GV40198-001A	EJECT BUTTON B	1		
	10	QYSBSF2608Z	T.SCREW	1	FRONT+E.BOTTON.B	
	11	GV20216-001A	GEAR HOLDER A	1		
	12	GV20217-001A	GEAR HOLDER B	1		
	13	GV40191-001A	GEAR HOLDER C	1		
	14	QYSBSF2608Z	T.SCREW	6	AT G.HOLDER A/B	
	15	WJM0072-001A	WIRE CONNECTOR	1		
	16	GV40126-001A	PULLEY	1		
	17	GV30038-001A	BELT	1		
	18	GV40098-001A	WORM/PULLEY	1		
	19	GV40097-001A	GEAR B	1		
	20	GV40096-001A	GEAR A	1		
	21	QAR0023-001	MOTOR	1		
	22	QYSPSP3004Z	SCREW	2	AT MOTOR	
	23	QYSBSF2608Z	T.SCREW	4	FRONT+ GEAR ASSY	
	24	GV40200-002A	PANEL HOLDER L	1		
	25	GV40201-002A	PANEL HOLDER R	1		
	27	GV20131-002A	FRONT CASE	1		
	28	GV30207-001A	LED LENS	1		
	29	QYSBSF2608Z	T.SCREW	1	LED LENS+FRONT	
	30	GV40217-001A	SPACER	1		
	31	GV40242-003A	COMMON SPACER	1		
	32	GV40210-001A	LCD LENS	1		
	33	GV30206-001A	LCD HOLDER	1		
	34	GV40221-001A	LCD SHEET	1		
	35	GV40202-001A	LED HOLDER A	1		
	36	GV40203-002A	LED HOLDER B	1		
	37	GV30208-002A	LED COVER	1		
	38	GV30213-002A	LCD COVER	1		
	39	GV20132-007A	FRONT LENS	1	UX-F72MD	
		GV20132-006A	FRONT LENS	1	UX-F70MD	
	40	QYSBSF2610Z	SCREW	4	LCD COVER+F.CASE	
	41	QYSBSF2006N	SCREW	4	F.LENS+ F.CASE	
	42	QYSBSF2608Z	T.SCREW	2	CON.PWB+ F.PANEL	
	43	GV40035-001A	SPECIAL SCREW	2	F.PANEL+PANEL HOLDER	
	44	GV40219-001A	SPECIAL SCREW	1	DETEC.SW.PWB+F.PANEL	
	45	GV40199-001A	ROLLER	2		
	46	GV40214-001A	FRONT SPRING	1		
	47	GV40235-003A	SPACER	1		

■ Parts list (General assembly)

Block No. M1MM

△	Item	Parts number	Parts name	Q'ty	Description	Area
	48	GV40243-001A	SPACER	1	STICK AT LCD HOLDER	
	49	GV40242-003A	COMMON SPACER	1	MOV.PNL/TUNER/P.WIRE	
	50	GV10081-001A	BOTTOM CHASSIS	1		
	51	GV40195-001A	CD MECHA BRACKE	1		
	52	QYSBST3004Z	T.SCREW	2	CD M.BKT+BTM.CHASSIS	
	53	QYSBST3008Z	T.SCREW	3	CD MECHA+BTM.CHASSIS	
	54	QYSBST4006Z	T.SCREW	4	TRANS +BTM.CHASSIS	
	55	QYSBST3006Z	T.SCREW	1	BKT.+ AC PWB.	
	56	GV40247-001A	SPACER	1		
	57	-----	CD MECHA	1		
	58	GV10080-001A	INNER CHASSIS	1		
	59	QYSBST3006Z	T.SCREW	4	INNER CHA+ BTTM.CHASSIS	
	60	QYSBST3006Z	T.SCREW	1	TUNER PWB+ BTTM.CHASSIS	
	61	QYSBST3006Z	T.SCREW	1	FMB PWB+BTTM.CHASSIS	
	62	QYSBSF3010N	TAP SCREW	1	TUNER + R.COVER	
	63	QYSBSF3008Z	SCREW	1	MAIN PWB+INNER CHASSIS	
	64	GV30201-002A	IC HOLDER	1		
	65	GV30203-001A	HEAT SINK	1		
	66	QYSBSF3012Z	SCREW	3	IC HOLD.+ H.SINK	
	67	GV20079-001A	MD MECHA BASE	1		
	68	-----	MD MECHA	1		
	69	GV30198-001A	MD MECHA HOLDER	1		
	70	GV30199-001A	MD MECHA HOLDER	1		
	71	QYSBSF3010Z	SCREW	4	MD M.HLD+IN.CHASSIS	
	72	QYSBST3008Z	T.SCREW	4	MD MECHA+MD.M.BASE	
	73	GV30217-001A	PROTECT SHEET	1		
	74	GV40240-001A	PROTECT SHT(AC)	1		
	75	GV40133-001A	SPECIAL SCREW	2	MD HOLDER/FAN	
	76	QAR0124-002	FAN MOTOR	1	F1901	
	77	E310243-002	PLASTIC RIVET	1	PHONE PWB+BOTTOM	
	78	QYSBSF3010Z	SCREW	1	AC PWB+INNER CHASSIS	
	79	VKZ4001-016	WIRE HOLDER	1		
	80	QYSBSF3008Z	SCREW	2	MAIN BRD/BRACKE	
	81	GV30225-001A	HEAT PROTECT SH	1		
	83	GV20152-010A	TOP COVER	1	UX-F72MD	
		GV20152-009A	TOP COVER	1	UX-F70MD	
	84	GV40245-001A	CASS DOOR LENS	1		
	85	GV40216-002A	DOOR SPRING	1		
	86	GV40034-001A	DAMPER ASSY	1		
	87	GV40220-001A	LACH	1		
	88	GV30197-001A	BUTTON	1		
	89	QYSBSF2608Z	T.SCREW	7	BUTTON+TOP COVER	
	90	-----	CASSETTE MECHA	1		
	91	VKZ4001-110S	WIRE HOLDER	1	SLC TO TOP COVER	
	92	GV30071-001A	HEAD SHIELD	1		
	93	QYSBSF2608Z	T.SCREW	2	FOR HEAD SHIELD	
	94	QYSBSF3010Z	SCREW	3	FOR SLC MECHA	
	95	QYSSST3010Z	SCREW	2	F.PNL/BTTM CHASSIS	

■ Parts list (General assembly)

Block No. M1MM

△	Item	Parts number	Parts name	Q'ty	Description	Area
	96	QYSBSF3008Z	SCREW	2	F.PANEL/T.COVER	
	97	GV40091-002A	FOOT	4	FRONT & REAR	
	98	GV40229-001A	SUPPORT BRACKET	1	SLC MECHA PROCE	
	99	QYSBSF3010Z	SCREW	1	FOR SUPPORT BKT	
	100	QYSBST3008Z	T.SCREW	1	SLC MECH./BRAC.	
	101	VKY4180-401	CASSETTE SPRING	2	PUT AT CASS.DOOR	
	102	VKL7850-002	EJECT SAFTY(R)	1		
	103	VKW5258-003	TORSION SPRING	1		
	104	GV10082-002A	SIDE PANEL(L)	1	UX-F72MD	
		GV10082-001A	SIDE PANEL(L)	1	UX-F70MD	
	105	GV10083-001A	SIDE PANEL(R)	1	UX-F70MD	
		GV10083-002A	SIDE PANEL(R)	1	UX-F72MD	
	106	GV10085-001A	REAR COVER	1		
	107	QYSBSF3010N	TAP SCREW	6	FOR REAR COVER	
	108	QYSSST3010Z	SCREW	2	BOTTOM+REAR COVER	
	109	GV30200-001A	CD FITTING	1	UX-F70MD	
		GV30200-002A	CD FITTING	1	UX-F72MD	
	110	GV30226-001A	RATING LABEL	1	UX-F72MD	UB
		GV30226-003A	RATING LABEL	1	UX-F72MD	UF
		GV30226-004A	RATING LABEL	1	UX-F70MD	UF
		GV30226-002A	RATING LABEL	1	UX-F70MD	UB
	111	GV40250-001A	BOARD SPACER	1	STICK AT FMB BOARD	
△	112	QQT0340-002	POWER TRANS	1	T1001	
	113	QUQ412-1018CJ	FFC WIRE	1	FMB-SLC	
	114	QUQ412-0919CJ	FFC WIRE	1	FMB-SLC	
	115	QUQ412-0932CJ	FFC WIRE	1	FMB-TUNER	
	116	QUQ610-1415BF	FFC WIRE	1	CONN-LCD	
	117	QUQ110-1915BJ	FFC WIRE	1	FMB-CD	
	118	QUQ110-2125BJ	CARD WIRE	1	FMB-MD	
	119	QUQ412-0512DJ	FFC WIRE	1	FMB-FKEY	
	120	QUQ110-0838AJ	FFC WIRE	1		
△	121	QMF51W2-R40-J8	FUSE	1	F1001	
△	122	QMF51W2-1R6-J8	FUSE	1	F1003	
△	123	QMF51W2-5R0-J8	FUSE	1	F1004	
	125	QYSBSF2608Z	T.SCREW	1	F.SPRING/F.BRD	
	126	QYSBST3006Z	T.SCREW	1	MD MECHA/S.WIRE	
	127	GV40251-001A	SPACER	1	STICK AT BOTTOM	
	128	GV40242-003A	COMMON SPACER	1	WIRE ARRANGEMENT	
	129	VND4118-003	CAUTION LABEL	1	STICK AT R.COVER	
	130	LV41768-001A	CCIB LABEL	1		UF
	131	E409372-001	CCEE LABEL	1		UF
	132	GV40242-003A	COMMON SPACER	1	STICK AT INNER	

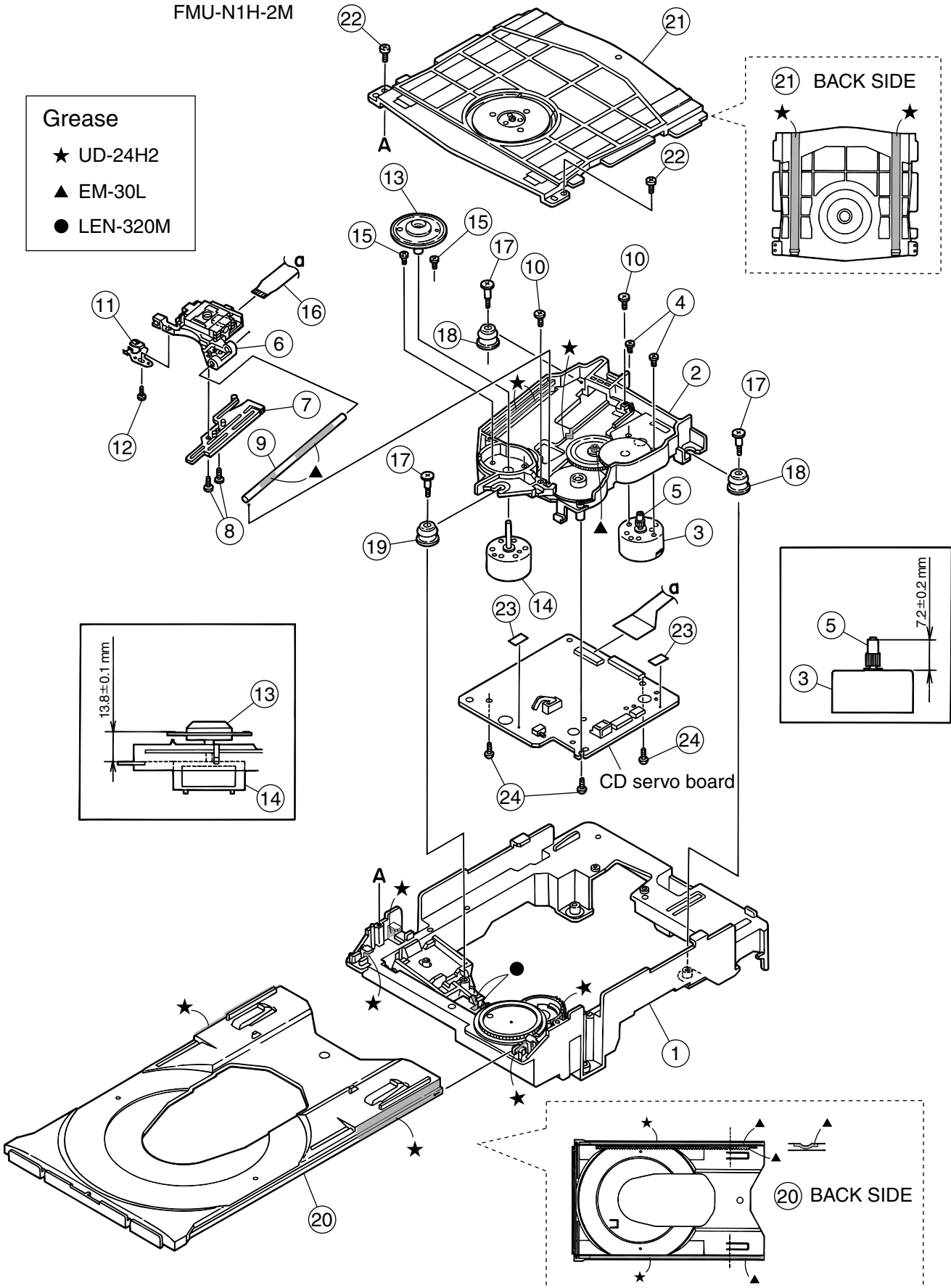
CD mechanism assembly and parts list

Block No. M B M M

FMU-N1H-2M

Grease

- ★ UD-24H2
- ▲ EM-30L
- LEN-320M



■ Parts list (CD mechanism)

Block No. MBMM

△	Item	Parts number	Parts name	Q'ty	Description	Area
	1	LV32649-005A	L.BASE ASSY	1		
	2	LV32651-002A	CH.BASE ASSY	1		
	3	QAR0176-001	FEED MOTOR	1		
	4	VKZ4743-001	SPECIAL SCREW	2		
	5	LV42229-001A	MOTOR GEAR	1		
	6	OPTIMA-725B1	CD PICK UP	1		
	7	LV20993-002A	RACK PLATE	1		
	8	QYSPSGT1735M	MINI SCREW	2		
	9	E406777-002SM	C.D SHAFT	1		
	10	LV41741-001A	SPECIAL SCREW	2		
	11	LV31744-001A	P.S.SPRING	1		
	12	QYSPSGT1425M	TAP SCREW	1		
	13	LV42350-001A	T.T.ASSY	1		
	14	QAR0175-001	SP.MOTOR	1		
	15	VKZ4743-001	SPECIAL SCREW	2		
	16	LVB30008-001A	FPC	1		
	17	LV41424-001A	SPECIAL SCREW	3		
	18	LV41659-001A	INSULATOR	2		
	19	LV41659-002A	INSULATOR	1		
	20	LV10503-002A	TRAY	1		
	21	LV32650-003A	CL.BASE ASSY	1		
	22	QYSBSF2005Z	T.SCREW	2		
	23	LV30225-0B6A	SPACER	2		
	24	QYSBSF2005Z	T.SCREW	3		

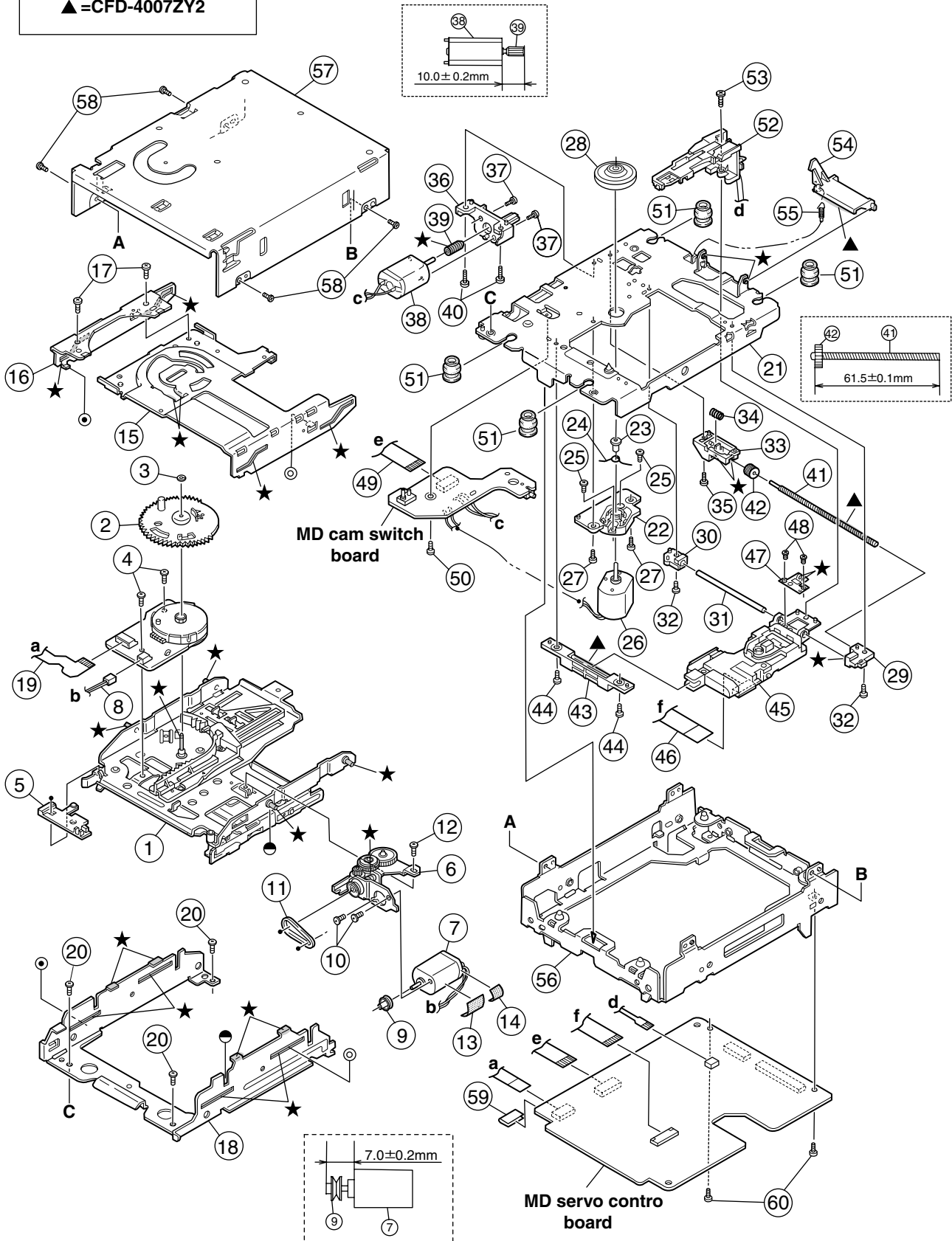
MD mechanism assembly and parts list

Block No. M E M M

Grease

- ★ = EM-30L
- ▲ = CFD-4007ZY2

FMU-S5M-2M



Parts list (MD mechanism)

Block No. MEMM

△	Item	Parts number	Parts name	Q'ty	Description	Area
	1	LV20548-013A	LOADING ASSY	1		
	2	LV31472-002A	CAM GEAR	1		
	3	QYWDL1230252	SLIT WASHER	1		
	4	LV41477-002A	MINI TAP SCREW	2	CAM SW PWB	
	5	LV32168-002A	WIRE HOLDER	1		
	6	LV31710-002A	L.MOTOR ASSY	1		
	7	QAR0144-001	MOTOR	1	MT601	
	8	WJM0117-003A	E-SI C WIRE C-F	1		
	9	LV41341-001A	MOTOR PULLEY	1		
	10	QYSPSPT2020M	MINI SCREW	2	LOAD.MOTOR	
	11	LV41342-001A	BELT	1		
	12	LV41477-002A	MINI TAP SCREW	1	L.MOTOR BKT.	
	13	LV30225-068A	SPACER	1		
	14	LV30225-085A	SPACER	1		
	15	LV20543-002A	SLIDE BASE R	1		
	16	LV31483-001A	SLIDE BASE L	1		
	17	LV41477-002A	MINI TAP SCREW	2	SLIDE BASE	
	18	LV10286-002A	LOAD.MECHA BASE	1		
	19	LVB40003-001A	FPC CABLE	1		
	20	LV41477-002A	MINI TAP SCREW	3	L.MECHA BASE	
	21	LV31709-003A	TM.CHASSIS ASSY	1		
	22	LV20545-001A	SP.MOTOR BASE	1		
	23	LE40515-001A	COLLAR	1		
	24	LE40516-001A	SPRING	1		
	25	QYSPSPU1720N	SCREW	2	SP.MOTOR	
	26	FF-110PH-08280	SP.MOTOR	1	MT603	
	27	LV41477-002A	MINI TAP SCREW	2	SP.MOTOR BASE	
	28	LE30470-202A	T.TABLE ASSY	1		
	29	LV41343-001A	SHAFT HOLDER R	1		
	30	LV41344-002A	SHAFT HOLDER F	1		
	31	VKH5803-001	GUIDE SHAFT	1		
	32	LV41477-002A	MINI TAP SCREW	2	SHAFT HOLDER	
	33	LV31484-001A	T.SPRING HOLDER	1		
	34	LV41350-001A	COM.SPRING	1		
	35	LV41477-002A	MINI TAP SCREW	1	T.SP.HOLDER	
	36	LV31485-001A	FEED MOTOR BKT.	1		
	37	QYSPSPT2025N	MINI SCREW	2	FEED MOTOR	
	38	QAR0144-001	MOTOR	1	MT602	
	39	LV41345-001A	FEED WORM	1		
	40	LV41477-002A	MINI TAP SCREW	2	FEED MOTOR BKT.	
	41	LV42702-001A	SCREW SHAFT	1		
	42	LV41347-001A	S.SHAFT GEAR	1		
	43	LV31486-001A	PICK UP GUIDE	1		
	44	LV41477-002A	MINI TAP SCREW	2	P-UP GUIDE	
	45	KMS-260E	MD PICK UNIT	1		
	46	LVB30007-002A	FPC CABLE	1		
	47	LV41348-001A	RACK SPRING	1		
	48	QYSPSPT1414M	MINI SCREW	2	RACK SPRING	

■ Parts list (MD mechanism)

Block No. MEMM

▲	Item	Parts number	Parts name	Q'ty	Description	Area
	49	WJT0042-001A	E-CARD WIRE	1		
	50	LV41477-002A	MINI TAP SCREW	1	T.MECHA PWB	
	51	LV40761-003A	INSULATOR	4		
	52	QAH0039-002	MD HEAD	1	H601	
	53	QYSPSPT1740N	MINI SCREW	1	MD HEAD	
	54	LV31487-002A	HEAD LIFTER	1		
	55	LV41349-001A	H.LIFTER SPRING	1		
	56	LV10284-002A	SINGLE FRAME	1		
	57	LV10285-003A	MECHA COVER	1		
	58	LV41477-002A	MINI TAP SCREW	4	MECHA COVER	
	59	LV30225-096A	SPACER	1		
	60	VKZ4539-024	MINI SCREW	2	SERVO PWB	

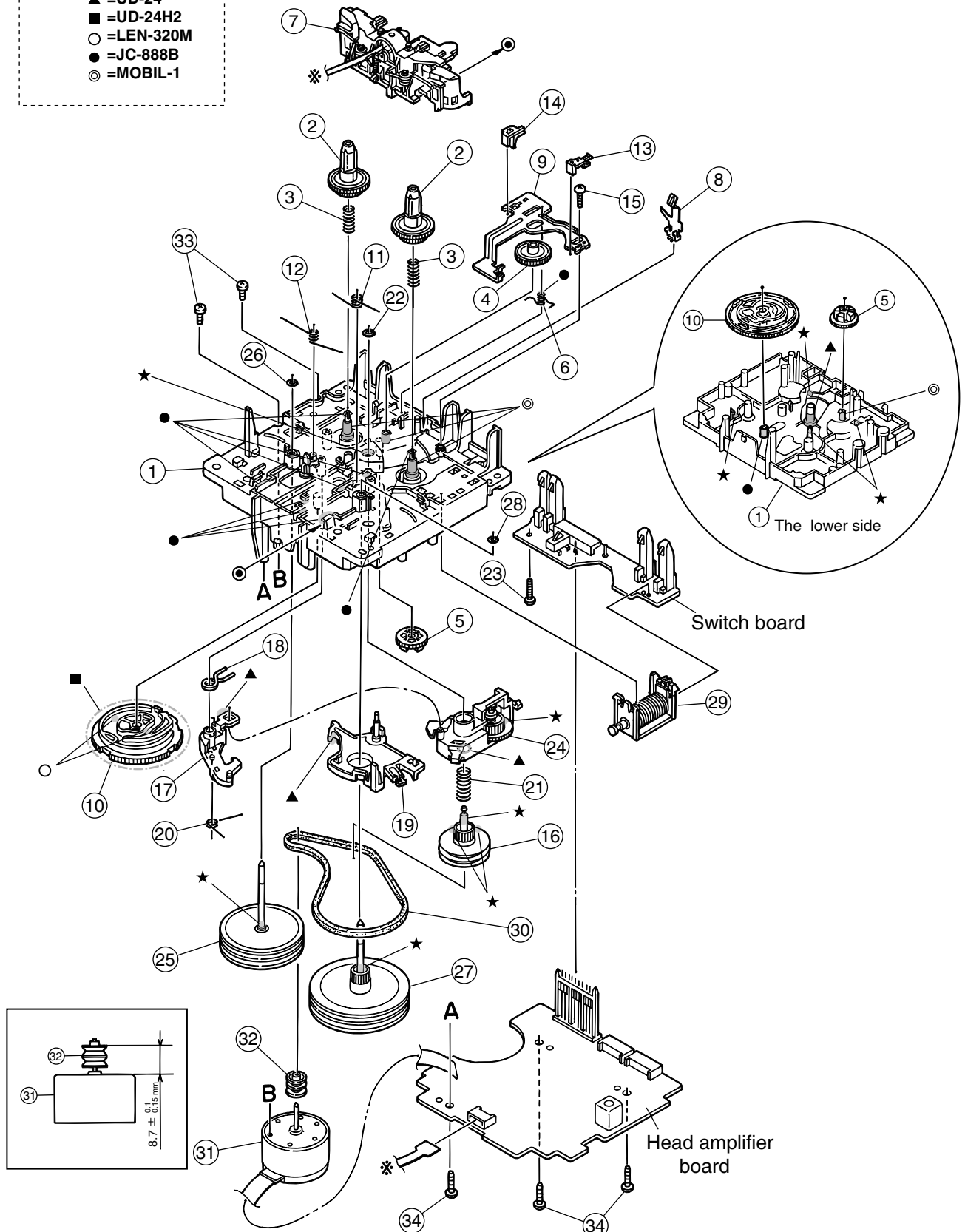
Cassette mechanism assembly and parts list

SLC-S21M

Block No. M P M M

Grease

- ★ =EM-30L
- ▲ =UD-24
- =UD-24H2
- =LEN-320M
- =JC-888B
- ◎ =MOBIL-1



■ Parts list (Cassette mechanism)

Block No. MPMM

△	Item	Parts number	Parts name	Q'ty	Description	Area
	1	VKS1165-00J	CHASSIS B.ASS'Y	1		
	2	VKS2274-002	REEL GEAR	2		
	3	VKW5286-002	B.T. SPRING	2		
	4	VKS5559-001	PLAY IDLE GEAR	1		
	5	VKS5597-00B	BLIND	1		
	6	VKW5296-001	EARTH SPRING	1		
	7	SLC-RP1SVM	HEAD MOUNT ASSY	1		
	8	VKY3149-002	CASSETTE SP.	1		
	9	LV31786-001A	PLAY SW LEVER	1		
	10	VKS1166-003	CONTROL CAM	1		
	11	VKW5279-001	HEAD BASE SP(R)	1		
	12	VKW5280-001	HEAD BASE SP(L)	1		
	13	LV41584-001A	BRAKE(R)	1		
	14	LV41585-002A	BRAKE(L)	1		
	15	QYSBSF2005Z	T.SCREW	1		
	16	VKS5603-00G	MAIN PULLEY ASY	1		
	17	VKS3785-001MM	FR ARM	1		
	18	VKW5284-002	SWING SPRING	1		
	19	VKS2278-003	TRIGGER ARM	1		
	20	VKW5301-001	FR SPRING	1		
	21	VKW5266-001	ELEVATOR SPRING	1		
	22	WDL214025	WASHER	1		
	23	QYSBSF2005Z	T.SCREW	1		
	24	VKS3786-00G	CLUTCH ASS'Y	1		
	25	VKF3205-00B	F.WHEEL ASSY(R)	1		
	26	WDL183425	SLIT WASHER	1		
	27	VKF3207-00B	F.WHEEL ASSY(L)	1		
	28	WDL173525-6	SLIT WASHER	1		
	29	VKZ3174-00A	DC SOLENOID	1		
	30	LV42234-001A	CAPSTAN BELT	1		
	31	MSI-5U2LWA	D.C.MOTOR ASS'Y	1		
	32	VKR4761-001	MOTOR PULLEY	1		
	33	QYSPSP2604Z	SCREW	2		
	34	QYSBSF2608Z	T.SCREW	3	FOR P.W.B.	

■ Electrical parts list (System control board) Block No. 01

△	Item	Parts number	Parts name	Remarks	Area	△	Item	Parts number	Parts name	Remarks	Area
	B2526	QRE141J-221Y	C RESISTOR	220 5% 1/4W			C2216	QCBB1HK-151Y	C CAPACITOR	150PF 10% 50V	
	BZ201	QAN0045-001	BUZZER	SOUNDER			C2217	QCBB1HK-151Y	C CAPACITOR	150PF 10% 50V	
	CN701	QGF1205C1-09	CONNECTOR	TO TUNER			C2218	QDGB1HK-102Y	C CAPACITOR		
	CN704	QGF1016C1-19	CONNECTOR	TO CD MECHA			C2219	EETC1CM-106ZJC	E CAPACITOR		
	CN705	QGF1201C3-05	FFC CONNE	TO FUNCTION KEY			C2225	QETC1HM-475Z	E CAPACITOR	4.7MF 20% 50V	
	CN709	QGB2024K1-20S	CONNECTOR	TO CONN BOARD			C2226	QTE1V06-106Z	E CAPACITOR		
	CN711	QGB2510J1-12	CONNECTOR	TO FMH			C2227	QEKC1HM-475Z	E CAPACITOR	4.7MF 20% 50V	
	CN712	QGB2510J1-12	CONNECTOR	TO FMH			C2228	QETC1HM-475Z	E CAPACITOR	4.7MF 20% 50V	
	CN721	QGF1016C1-21	CONNECTOR	TO MD MECHA			C2229	QEKC1HM-475Z	E CAPACITOR	4.7MF 20% 50V	
	CN743	QGF1201F3-09	CONNECTOR	TO SLC			C2230	QEKC1HM-475Z	E CAPACITOR	4.7MF 20% 50V	
	CN744	QGF1201F3-10	CONNECTOR	TO SLC			C2231	EEKC1CM-226ZJC	E CAPACITOR		
	CN913	QGF1016F1-14	CONNECTOR	LED CONN.			C2305	QDGB1HK-102Y	C CAPACITOR		
	C2001	NCB31HK-103X	C CAPACITOR				C2306	QCBB1HK-101Y	C CAPACITOR	100PF 10% 50V	
	C2002	NCB31HK-103X	C CAPACITOR				C2307	QCBB1HK-101Y	C CAPACITOR	100PF 10% 50V	
	C2004	NCS31HJ-101X	C CAPACITOR				C2308	QCBB1HK-101Y	C CAPACITOR	100PF 10% 50V	
	C2005	NCB31HK-103X	C CAPACITOR				C2309	QDGB1HK-102Y	C CAPACITOR		
	C2006	NCS31HJ-101X	C CAPACITOR				C2310	QDGB1HK-102Y	C CAPACITOR		
	C2007	NCS31HJ-101X	C CAPACITOR				C2313	QDGB1HK-102Y	C CAPACITOR		
	C2009	NCS31HJ-101X	C CAPACITOR				C2316	QDYB1CM-103Y	C CAPACITOR		
	C2010	NCS31HJ-101X	C CAPACITOR				C2317	QEKC0JM-107Z	E CAPACITOR	100MF 20% 6.3V	
	C2011	NCS31HJ-101X	C CAPACITOR				C2318	QDVB1EZ-223Y	C CAPACITOR		
	C2012	NCS31HJ-101X	C CAPACITOR				C2319	QDVB1EZ-223Y	C CAPACITOR		
	C2013	NCS31HJ-101X	C CAPACITOR				C2326	QDGB1HK-102Y	C CAPACITOR		
	C2014	NCS31HJ-101X	C CAPACITOR				C2351	QER61EM-475Z	E CAPACITOR	4.7MF 20% 25V	
	C2015	EEKC1AM-476ZJC	E CAPACITOR				C2352	QER61CM-107Z	E CAPACITOR	100MF 20% 16V	
	C2101	QTE1E06-226Z	E CAPACITOR				C2403	QER61HM-105Z	E CAPACITOR	1.0MF 20% 50V	
	C2102	QFVJ1HJ-823Z	MF CAPACITOR	.082MF 5% 50V			C2404	NCB31HK-103X	C CAPACITOR		
	C2103	QFVJ1HJ-823Z	MF CAPACITOR	.082MF 5% 50V			C2453	NCB31HK-103X	C CAPACITOR		
	C2104	QFVJ1HJ-274Z	MF CAPACITOR	.27MF 5% 50V			C2502	EETC1CM-107ZJC	E CAPACITOR		
	C2105	QFVJ1HJ-184Z	MF CAPACITOR	.18MF 5% 50V			C2604	NCB21HK-471X	C CAPACITOR		
	C2106	QFVJ1HJ-184Z	MF CAPACITOR	.18MF 5% 50V			C2605	NCB21HK-102X	C CAPACITOR		
	C2107	QFLA1HJ-104Z	M CAPACITOR	.10MF 5% 50V			C2704	NCS31HJ-330X	C CAPACITOR		
	C2108	QFLA1HJ-104Z	M CAPACITOR	.10MF 5% 50V			C2705	NCS31HJ-330X	C CAPACITOR		
	C2109	QFLC1HJ-272Z	M CAPACITOR	2700PF 5% 50V			C2708	EEKC1CM-107ZJC	E CAPACITOR		
	C2110	QEKC1HM-475Z	E CAPACITOR	4.7MF 20% 50V			C2709	NCB31HK-103X	C CAPACITOR		
	C2112	NCS31HJ-221X	C CAPACITOR				C2710	NCS31HJ-220X	C CAPACITOR		
	C2114	QFN31HJ-822Z	M CAPACITOR	8200PF 5% 50V			C2711	NCS31HJ-220X	C CAPACITOR		
	C2115	EEKC1EM-106ZJC	E CAPACITOR				C2712	QETM0JM-228	E CAPACITOR	2200MF 20% 6.3V	
	C2116	QCBB1HK-151Y	C CAPACITOR	150PF 10% 50V			C2713	EEKC1HM-225ZJC	E CAPACITOR		
	C2117	QCBB1HK-151Y	C CAPACITOR	150PF 10% 50V			C2714	EEKC1HM-475ZJC	E CAPACITOR		
	C2118	QDGB1HK-102Y	C CAPACITOR				C2750	QDGB1HK-102Y	C CAPACITOR		
	C2119	QFLC1HJ-123Z	M CAPACITOR	.012MF 5% 50V			C2751	EEKC1HM-105ZJC	E CAPACITOR		
	C2125	QETC1HM-475Z	E CAPACITOR	4.7MF 20% 50V			C2752	EEKC1HM-105ZJC	E CAPACITOR		
	C2126	QTE1V06-106Z	E CAPACITOR				C2753	EEKC1HM-105ZJC	E CAPACITOR		
	C2127	QETC1HM-475Z	E CAPACITOR	4.7MF 20% 50V			C2852	QDYB1CM-103Y	C CAPACITOR		
	C2128	QETC1HM-475Z	E CAPACITOR	4.7MF 20% 50V			C2853	EEKC1CM-107ZJC	E CAPACITOR		
	C2129	QEKC1HM-475Z	E CAPACITOR	4.7MF 20% 50V			C2855	QDYB1CM-103Y	C CAPACITOR		
	C2130	QEKC1HM-475Z	E CAPACITOR	4.7MF 20% 50V			C2901	QER61AM-107Z	E CAPACITOR	100MF 20% 10V	
	C2131	EETC1HM-105ZJC	E CAPACITOR				C2902	NCB31HK-102X	C CAPACITOR		
	C2201	QTE1E06-226Z	E CAPACITOR				C2905	QCFB1HZ-105Y	ML C CAPACITOR	1.0MF +80%-20%	
	C2202	QFVJ1HJ-823Z	MF CAPACITOR	.082MF 5% 50V			C2906	QCFB1HZ-105Y	ML C CAPACITOR	1.0MF +80%-20%	
	C2203	QFVJ1HJ-823Z	MF CAPACITOR	.082MF 5% 50V			D2001	1SS133-T2	SI DIODE		
	C2204	QFVJ1HJ-274Z	MF CAPACITOR	.27MF 5% 50V			△ D2046	1N4003S-T5	SI DIODE		
	C2205	QFVJ1HJ-184Z	MF CAPACITOR	.18MF 5% 50V			D2201	1SS133-T2	SI DIODE		
	C2206	QFVJ1HJ-184Z	MF CAPACITOR	.18MF 5% 50V			D2202	1SS133-T2	SI DIODE		
	C2207	QFLA1HJ-104Z	M CAPACITOR	.10MF 5% 50V			D2301	MTZJ6.2A-T2	Z DIODE		
	C2208	QFLA1HJ-104Z	M CAPACITOR	.10MF 5% 50V			D2351	MTZJ3.9B-T2	Z DIODE		
	C2209	QFLC1HJ-272Z	M CAPACITOR	2700PF 5% 50V			D2352	1SS133-T2	SI DIODE		
	C2210	QEKC1HM-475Z	E CAPACITOR	4.7MF 20% 50V			D2353	1SS133-T2	SI DIODE		
	C2211	QFLC1HJ-123Z	M CAPACITOR	.012MF 5% 50V			D2402	MTZJ7.5C-T2	Z DIODE		
	C2212	NCS31HJ-221X	C CAPACITOR				D2451	1SS133-T2	SI DIODE		
	C2214	QFN31HJ-822Z	M CAPACITOR	8200PF 5% 50V			D2452	1SS133-T2	SI DIODE		
	C2215	EEKC1EM-106ZJC	E CAPACITOR				D2601	1SS133-T2	SI DIODE		

■ Electrical parts list (System control board) Block No. 01

△	Item	Parts number	Parts name	Remarks	Area	△	Item	Parts number	Parts name	Remarks	Area
	D2602	SPR-39MVWF	LED				Q2709	KTC3875/GR/-X	TRANSISTOR		
	D2701	1SS133-T2	SI DIODE	US5V			Q2710	KTC3875/GR/-X	TRANSISTOR		
	D2702	1SS133-T2	SI DIODE				Q2711	KTC3875/GR/-X	TRANSISTOR		
	D2703	MTZJ5.1C-T2	Z DIODE				Q2712	KTC3875/GR/-X	TRANSISTOR		
	D2705	1SS133-T2	SI DIODE				Q2713	KTC3875/GR/-X	TRANSISTOR		
	D2708	1SS133-T2	SI DIODE				Q2714	KTC3875/GR/-X	TRANSISTOR		
	D2723	1SS355-X	DIODE				Q2715	KTC3875/GR/-X	TRANSISTOR		
	D2724	1SS355-X	DIODE				Q2716	KTC3875/GR/-X	TRANSISTOR		
	D2725	1SS355-X	DIODE				Q2717	KTC3875/GR/-X	TRANSISTOR		
	D2726	1SS355-X	DIODE				Q2853	KTC3875/GR/-X	TRANSISTOR		
	D2731	1SS355-X	DIODE				R2002	NRSA63J-103X	MG RESISTOR		
	D2732	1SS355-X	DIODE				R2003	NRSA63J-222X	MG RESISTOR		
	D2851	MTZJ5.1C-T2	Z DIODE				R2005	NRSA63J-222X	MG RESISTOR		
	D2852	MTZJ7.5C-T2	Z DIODE				R2006	NRSA63J-222X	MG RESISTOR		
	D2902	MTZJ7.5C-T2	Z DIODE				R2007	NRSA63J-222X	MG RESISTOR		
	D2903	MTZJ7.5C-T2	Z DIODE				R2008	NRSA63J-103X	MG RESISTOR		
	D2904	NSTM515AS	LED	COLOR LED			R2009	NRSA63J-222X	MG RESISTOR		
	D2906	MTZJ7.5C-T2	Z DIODE				R2010	NRSA63J-222X	MG RESISTOR		
	D2907	MTZJ7.5C-T2	Z DIODE				R2011	NRSA63J-102X	MG RESISTOR		
	D2908	NSTM515AS	LED	COLOR LED			R2012	NRSA63J-153X	MG RESISTOR		
	D2910	MTZJ7.5C-T2	Z DIODE				R2015	NRSA63J-102X	MG RESISTOR		
	D2911	MTZJ7.5C-T2	Z DIODE				R2016	NRSA63J-103X	MG RESISTOR		
	D2912	NSTM515AS	LED	COLOR LED			R2017	NRSA63J-103X	MG RESISTOR		
	IC701	UPD784215AGF511	IC	SYSTEM MICOM			R2018	NRSA63J-222X	MG RESISTOR		
	IC702	LC75345M-X	IC				R2019	NRSA63J-222X	MG RESISTOR		
	IC703	LB1641	IC				R2020	NRSA63J-103X	MG RESISTOR		
	IC901	GP1UM271XK	IR DETECT UNIT	REMOCON SENS			R2021	NRSA63J-103X	MG RESISTOR		
	J2001	QNN0215-001	PIN JACK	AUX IN JACK			R2022	NRSA63J-222X	MG RESISTOR		
	K1901	QLD0184-001	LCD MODULE	LCD			R2023	NRSA63J-102X	MG RESISTOR		
	K2001	QQR0621-001Z	FERRITE BEADS				R2024	NRSA63J-102X	MG RESISTOR		
	K2002	QQR0621-001Z	FERRITE BEADS				R2025	NRSA63J-102X	MG RESISTOR		
	K2003	QQR0621-001Z	FERRITE BEADS				R2026	NRSA63J-222X	MG RESISTOR		
	K2301	QQR0621-001Z	FERRITE BEADS				R2027	NRSA63J-102X	MG RESISTOR		
	K2302	QQR0621-001Z	FERRITE BEADS				R2028	NRSA63J-103X	MG RESISTOR		
	K2303	QQR0621-001Z	FERRITE BEADS				R2029	NRSA63J-102X	MG RESISTOR		
	K2304	QQR0621-001Z	FERRITE BEADS				R2030	NRSA63J-104X	MG RESISTOR		
	K2305	QQR0621-001Z	FERRITE BEADS				R2031	NRSA63J-104X	MG RESISTOR		
	K3002	QQR0621-001Z	FERRITE BEADS				R2032	NRSA63J-102X	MG RESISTOR		
	K3003	NQR0428-002X	FERRITE BEADS				R2033	NRSA63J-222X	MG RESISTOR		
	L2001	QQL244K-100Z	INDUCTOR				R2036	NRSA63J-222X	MG RESISTOR		
	L2002	QQL244K-100Z	INDUCTOR				R2039	NRSA63J-223X	MG RESISTOR		
	L2101	QQL231K-4R7Y	INDUCTOR				R2040	NRSA63J-472X	MG RESISTOR		
	L2201	QQL231K-4R7Y	INDUCTOR				R2041	NRSA63J-222X	MG RESISTOR		
	L2302	QQL173K-470Z	INDUCTOR				R2042	NRSA63J-222X	MG RESISTOR		
	L2304	QQL231K-4R7Y	INDUCTOR				R2043	NRSA63J-222X	MG RESISTOR		
	L2305	QQL231K-4R7Y	INDUCTOR				R2044	NRSA63J-222X	MG RESISTOR		
	L2306	QQL231K-4R7Y	INDUCTOR				R2045	NRSA63J-103X	MG RESISTOR		
	Q2101	KTC3875/GR/-X	TRANSISTOR				R2046	NRSA63J-222X	MG RESISTOR		
	Q2103	KTC3875/GR/-X	TRANSISTOR				R2047	NRSA63J-103X	MG RESISTOR		
	Q2201	KTC3875/GR/-X	TRANSISTOR				R2048	NRSA63J-222X	MG RESISTOR		
	Q2203	KTC3875/GR/-X	TRANSISTOR				R2049	NRSA63J-103X	MG RESISTOR		
	Q2301	2SC2001/LK/-T	TRANSISTOR				R2050	NRSA63J-222X	MG RESISTOR		
	Q2351	KTA1504/GR-X	TRANSISTOR				R2051	NRSA63J-222X	MG RESISTOR		
	Q2352	KTC3875/GR/-X	TRANSISTOR				R2052	NRSA63J-222X	MG RESISTOR		
	Q2402	KRA101M-T	TRANSISTOR				R2053	NRSA63J-102X	MG RESISTOR		
	Q2403	KTC3875/GR/-X	TRANSISTOR				R2054	NRSA63J-102X	MG RESISTOR		
	Q2601	KRC102S-X	D TRANSISTOR				R2057	NRSA63J-222X	MG RESISTOR		
	Q2703	KTA1504/GR-X	TORANSISTOR	SW5V			R2060	NRSA63J-222X	MG RESISTOR		
	Q2704	KTC3875/GR/-X	TORANSISTOR	RESET SW			R2061	NRSA63J-222X	MG RESISTOR		
	Q2705	KTC3875/GR/-X	TORANSISTOR	BACKUP CONT			R2062	NRSA63J-102X	MG RESISTOR		
	Q2706	KTC3875/GR/-X	TRANSISTOR				R2064	NRSA63J-102X	MG RESISTOR		
	Q2707	KTC3875/GR/-X	TRANSISTOR				R2066	NRSA63J-102X	MG RESISTOR		
	Q2708	KTC3875/GR/-X	TRANSISTOR				R2070	NRSA63J-101X	MG RESISTOR		

■ Electrical parts list (System control board) Block No. 01

△	Item	Parts number	Parts name	Remarks	Area	△	Item	Parts number	Parts name	Remarks	Area
	R2072	NRSA63J-101X	MG RESISTOR				R2234	NRSA63J-103X	MG RESISTOR		
	R2073	NRSA63J-101X	MG RESISTOR				R2235	NRSA63J-513X	MG RESISTOR		
	R2075	NRSA63J-101X	MG RESISTOR				R2237	QRE141J-153Y	C RESISTOR	15K 5% 1/4W	
	R2077	NRSA63J-101X	MG RESISTOR				R2303	QRE141J-561Y	C RESISTOR	560 5% 1/4W	
	R2079	NRSA63J-222X	MG RESISTOR				R2351	NRSA63J-390X	MG RESISTOR		
	R2080	NRSA63J-222X	MG RESISTOR				R2352	NRSA63J-332X	MG RESISTOR		
	R2081	NRSA63J-222X	MG RESISTOR				R2353	NRSA63J-273X	MG RESISTOR		
	R2082	NRSA63J-222X	MG RESISTOR				R2354	NRSA63J-102X	MG RESISTOR		
	R2083	NRSA63J-103X	MG RESISTOR				R2407	NRSA63J-332X	MG RESISTOR		
	R2084	NRSA63J-103X	MG RESISTOR				R2408	NRSA63J-392X	MG RESISTOR		
	R2085	NRSA63J-473X	MG RESISTOR				R2415	NRSA63J-823X	MG RESISTOR		
	R2086	NRSA63J-473X	MG RESISTOR				R2416	NRSA63J-823X	MG RESISTOR		
	R2087	NRSA63J-473X	MG RESISTOR				R2417	NRSA63J-394X	MG RESISTOR		
	R2088	NRSA63J-104X	MG RESISTOR				R2418	NRSA63J-104X	MG RESISTOR		
	R2092	QRE141J-473Y	C RESISTOR	47K 5% 1/4W			R2503	NRSA63J-222X	MG RESISTOR		
	R2093	QRE141J-473Y	C RESISTOR	47K 5% 1/4W			R2505	QRE141J-222Y	C RESISTOR	2.2K 5% 1/4W	
	R2095	NRSA63J-103X	MG RESISTOR				R2614	NRSA63J-161X	MG RESISTOR		
	R2096	NRSA63J-103X	MG RESISTOR				R2615	NRSA63J-470X	MG RESISTOR		
	R2103	NRSA63J-393X	MG RESISTOR				R2705	NRSA63J-331X	MG RESISTOR		
	R2104	NRSA63J-103X	MG RESISTOR				R2706	NRSA63J-103X	MG RESISTOR		
	R2105	NRSA63J-472X	MG RESISTOR				R2707	NRSA63J-103X	MG RESISTOR		
	R2106	NRSA63J-153X	MG RESISTOR				R2708	NRSA63J-103X	MG RESISTOR		
	R2107	NRSA63J-222X	MG RESISTOR				R2709	NRSA63J-103X	MG RESISTOR		
	R2108	NRSA63J-152X	MG RESISTOR				R2710	NRSA63J-104X	MG RESISTOR		
	R2109	NRSA63J-182X	MG RESISTOR				R2711	NRSA63J-473X	MG RESISTOR		
	R2110	NRSA63J-122X	MG RESISTOR				R2712	NRSA63J-333X	MG RESISTOR		
	R2111	NRSA63J-682X	MG RESISTOR				R2713	NRSA63J-102X	MG RESISTOR		
	R2115	QRE141J-332Y	C RESISTOR	3.3K 5% 1/4W			R2714	NRSA63J-102X	MG RESISTOR		
	R2122	QRE141J-332Y	C RESISTOR	3.3K 5% 1/4W			R2715	NRSA63J-102X	MG RESISTOR		
	R2125	QRE141J-222Y	C RESISTOR	2.2K 5% 1/4W			R2716	NRSA63J-102X	MG RESISTOR		
	R2126	QRE141J-222Y	C RESISTOR	2.2K 5% 1/4W			R2717	NRSA63J-102X	MG RESISTOR		
	R2127	QRE141J-182Y	C RESISTOR	1.8K 5% 1/4W			R2718	NRSA63J-102X	MG RESISTOR		
	R2128	QRE141J-472Y	C RESISTOR	4.7K 5% 1/4W			R2719	NRSA63J-221X	MG RESISTOR		
	R2129	NRSA63J-752X	MG RESISTOR				R2720	NRSA63J-221X	MG RESISTOR		
	R2130	NRSA63J-752X	MG RESISTOR				R2721	NRSA63J-271X	MG RESISTOR		
	R2131	QRE141J-182Y	C RESISTOR	1.8K 5% 1/4W			R2722	NRSA63J-271X	MG RESISTOR		
	R2132	QRE141J-182Y	C RESISTOR	1.8K 5% 1/4W			R2723	NRSA63J-271X	MG RESISTOR		
	R2133	QRE141J-224Y	C RESISTOR	220K 5% 1/4W			R2724	NRSA63J-271X	MG RESISTOR		
	R2134	NRSA63J-103X	MG RESISTOR				R2725	NRSA63J-221X	MG RESISTOR		
	R2135	NRSA63J-124X	MG RESISTOR				R2726	NRSA63J-221X	MG RESISTOR		
	R2136	NRSA63J-154X	MG RESISTOR				R2727	NRSA63J-271X	MG RESISTOR		
	R2137	QRE141J-153Y	C RESISTOR	15K 5% 1/4W			R2728	NRSA63J-271X	MG RESISTOR		
	R2138	NRSA63J-103X	MG RESISTOR				R2729	NRSA63J-271X	MG RESISTOR		
	R2203	NRSA63J-393X	MG RESISTOR				R2730	NRSA63J-271X	MG RESISTOR		
	R2204	NRSA63J-103X	MG RESISTOR				R2731	NRSA63J-221X	MG RESISTOR		
	R2205	NRSA63J-472X	MG RESISTOR				R2732	NRSA63J-221X	MG RESISTOR		
	R2206	NRSA63J-153X	MG RESISTOR				R2733	NRSA63J-271X	MG RESISTOR		
	R2207	NRSA63J-222X	MG RESISTOR				R2734	NRSA63J-271X	MG RESISTOR		
	R2208	NRSA63J-152X	MG RESISTOR				R2735	NRSA63J-271X	MG RESISTOR		
	R2209	NRSA63J-182X	MG RESISTOR				R2736	NRSA63J-271X	MG RESISTOR		
	R2210	NRSA63J-122X	MG RESISTOR				R2740	NRSA63J-222X	MG RESISTOR		
	R2211	NRSA63J-682X	MG RESISTOR				R2741	NRSA63J-222X	MG RESISTOR		
	R2215	QRE141J-332Y	C RESISTOR	3.3K 5% 1/4W			R2742	NRSA63J-222X	MG RESISTOR		
	R2222	QRE141J-332Y	C RESISTOR	3.3K 5% 1/4W			R2743	NRSA63J-222X	MG RESISTOR		
	R2225	QRE141J-222Y	C RESISTOR	2.2K 5% 1/4W			R2744	NRSA63J-222X	MG RESISTOR		
	R2226	QRE141J-222Y	C RESISTOR	2.2K 5% 1/4W			R2745	NRSA63J-222X	MG RESISTOR		
	R2227	QRE141J-182Y	C RESISTOR	1.8K 5% 1/4W			R2750	NRSA63J-221X	MG RESISTOR		
	R2228	QRE141J-472Y	C RESISTOR	4.7K 5% 1/4W			R2751	NRSA63J-221X	MG RESISTOR		
	R2229	NRSA63J-752X	MG RESISTOR				R2752	NRSA63J-221X	MG RESISTOR		
	R2230	NRSA63J-752X	MG RESISTOR				R2852	QRE141J-100Y	C RESISTOR	10 5% 1/4W	
	R2231	QRE141J-182Y	C RESISTOR	1.8K 5% 1/4W			R2853	QRE141J-222Y	C RESISTOR	2.2K 5% 1/4W	
	R2232	QRE141J-182Y	C RESISTOR	1.8K 5% 1/4W			R2854	QRE141J-222Y	C RESISTOR	2.2K 5% 1/4W	
	R2233	QRE141J-224Y	C RESISTOR	220K 5% 1/4W			R2855	QRE141J-100Y	C RESISTOR	10 5% 1/4W	
							R2856	QRE141J-9R1Y	C RESISTOR	9.1 5% 1/4W	
							R2901	NRSA63J-103X	MG RESISTOR		
							X2701	QAX0283-001Z	RESONATOR	MAIN CLOCK	
							X2702	QAX0401-001	CRYSTAL	SUB CLOCK	

■ Electrical parts list (Main board)

Block No. 02

△	Item	Parts number	Parts name	Remarks	Area	△	Item	Parts number	Parts name	Remarks	Area
	CN801	QGB2510K2-12	CONNECTOR				C1706	QENC1EM-106Z	NP E CAPACITOR	10MF 20% 25V	
	CN802	QGB2510K2-12	CONNECTOR				C1707	QENC1EM-106Z	NP E CAPACITOR	10MF 20% 25V	
	CN803	QGA3901C1-04	4P CONNECTOR				C1709	QCBB1HK-101Y	C CAPACITOR	100PF 10% 50V	
	CN804	QGA2501C1-05	5P CONNECTOR				C1710	QETN1EM-337Z	E CAPACITOR	330MF 20% 25V	
	CN805	QGB2510J1-04	CONNECTOR				C1801	QDYB1CM-103Y	C CAPACITOR		
	CN807	QGA2501F1-02	CONNECTOR				C1802	EETC1EM-476ZJC	E CAPACITOR		
	CN808	QGB2510K2-04	CONNECTOR				C1803	QCBB1HK-221Y	C CAPACITOR	220PF 10% 50V	
	CN809	QGA7901C1-02	CONNECTOR				C1901	EETC1CM-107ZJC	E CAPACITOR		
	CN905	QGF1201F3-05	CONNECTOR				C1902	QCFB1HZ-104Y	C CAPACITOR	.10MF +80:-20%	
	CN906	QGD2504C1-04Z	SOCKET	TO FUNCTION KEY			C1907	EEKC1CM-106ZJC	E CAPACITOR		
	CN907	QGA2501F1-02	CONNECTOR				C1908	QCFB1HZ-105Y	ML C CAPACITOR	1.0MF +80:-20%	
	CN908	QGF1016F1-14	CONNECTOR	TO CONN. BOARD		△	D1001	1N5401-TM	DIODE		
	CN909	QGB2024J1-20S	B TO B CONNECTO			△	D1002	1N5401-TM	DIODE		
	C1001	QCF31HZ-223Z	C CAPACITOR	.022MF +80:-20%		△	D1003	1N5401-TM	DIODE		
	C1002	QCF31HZ-223Z	C CAPACITOR	.022MF +80:-20%		△	D1004	1N5401-TM	DIODE		
△	C1003	QCF31HZ-223Z	C CAPACITOR	.022MF +80:-20%		△	D1005	1N5401-TM	DIODE		
△	C1004	QCF31HZ-223Z	C CAPACITOR	.022MF +80:-20%		△	D1006	1N4003S-T5	SI DIODE		
△	C1005	QETM1EM-228	E CAPACITOR	2200MF 20% 25V		△	D1007	1SS133-T2	SI DIODE		
△	C1006	QETM1EM-228	E CAPACITOR	2200MF 20% 25V			D1008	1SS133-T2	SI DIODE		
△	C1007	QETM1EM-108	E CAPACITOR	1000MF 20% 25V		△	D1012	1N5401-TM	DIODE		
△	C1008	QCZ9105-472	C CAPACITOR	4700PF		△	D1013	1N5401-TM	DIODE		
	C1009	QCFB1HZ-105Y	ML C CAPACITOR	1.0MF +80:-20%		△	D1014	1N5401-TM	DIODE		
	C1014	QFLA1HJ-104Z	M CAPACITOR	.10MF 5% 50V		△	D1015	1N5401-TM	DIODE		
	C1015	QFLA1HJ-104Z	M CAPACITOR	.10MF 5% 50V			D1026	1SS133-T2	SI DIODE		
	C1016	QFLA1HJ-104Z	M CAPACITOR	.10MF 5% 50V			D1027	1SS133-T2	SI DIODE		
	C1017	QFLA1HJ-104Z	M CAPACITOR	.10MF 5% 50V			D1301	MTZJ11A-T2	Z DIODE		
△	C1018	QEZ0512-828	E CAPACITOR	8200MF			D1401	MTZJ8.2B-T2	DIODE		
	C1042	QETC1AM-336Z	E CAPACITOR	33MF 20% 10V			D1402	1SS133-T2	SI DIODE		
	C1043	QETN1CM-107Z	E CAPACITOR	100MF 20% 16V			D1403	1SS133-T2	SI DIODE		
	C1046	QETN1HM-336Z	E CAPACITOR	33MF 20% 50V			D1404	1SS133-T2	SI DIODE		
	C1047	QETN1HM-105Z	E CAPACITOR	1.0MF 20% 50V			D1405	1SS133-T2	SI DIODE		
	C1052	EETC1HM-105ZJC	E CAPACITOR				D1501	MTZJ8.2C-T2	Z DIODE		
	C1053	EETC1HM-105ZJC	E CAPACITOR				D1601	MTZJ8.2C-T2	Z DIODE		
	C1054	QFLC1HJ-563Z	TF CAPACITOR	.056MF 5% 50V			D1603	MTZJ5.6B-T2	Z DIODE		
	C1055	QFLC1HJ-563Z	TF CAPACITOR	.056MF 5% 50V			D1604	1SS133-T2	SI DIODE		
	C1056	QFLA1HJ-104Z	M CAPACITOR	.10MF 5% 50V			D1605	1SS133-T2	SI DIODE		
	C1057	EETC1HM-225ZJC	E CAPACITOR				D1606	1SS133-T2	SI DIODE		
	C1058	QEKC1CM-107Z	E CAPACITOR	100MF 20% 16V			D1701	MTZJ5.6B-T2	Z DIODE		
	C1105	QTE1V06-106Z	E CAPACITOR				D1702	1SS133-T2	SI DIODE		
	C1106	QDGB1HK-102Y	C CAPACITOR				D1703	1SS133-T2	SI DIODE		
	C1107	QCBB1HK-331Y	C CAPACITOR	330PF 10% 50V			D1801	MTZJ10C-T2	Z DIODE		
	C1108	QFVF1HJ-104Z	MF CAPACITOR	.10MF 5% 50V			D1901	MTZJ8.2C-T2	Z DIODE		
	C1109	QFVF1HJ-104Z	MF CAPACITOR	.10MF 5% 50V			D1902	1SS133-T2	SI DIODE	UX-F70MD	
	C1110	QCBB1HK-221Y	C CAPACITOR	220PF 10% 50V			D1903	1SS133-T2	SI DIODE	UX-F70MD	
	C1111	QDXB1CM-332Y	C CAPACITOR				D1904	1SS133-T2	SI DIODE		
	C1205	QTE1V06-106Z	E CAPACITOR				D1905	1SS133-T2	SI DIODE		
	C1206	QDGB1HK-102Y	C CAPACITOR				FW906	QUM024-10DGZ3	PARA RIBON WIRE	TO CONN BOARD	
	C1207	QCBB1HK-331Y	C CAPACITOR	330PF 10% 50V		△	IC801	LA4628	IC		
	C1208	QFVF1HJ-104Z	MF CAPACITOR	.10MF 5% 50V		△	IC802	L4909	REGULATOR IC		
	C1209	QFVF1HJ-104Z	MF CAPACITOR	.10MF 5% 50V			IC803	KIA78S05P-T	IC	SW5V REG	
	C1210	QCBB1HK-221Y	C CAPACITOR	220PF 10% 50V			J1001	QNB0133-001	SPK TERMINAL		
	C1211	QDXB1CM-332Y	C CAPACITOR				J1002	QNS0030-001	JACK		
	C1301	QETN1CM-107Z	E CAPACITOR	100MF 20% 16V		△	J1003	QNC0006-001	AC SOCKET		
	C1302	QDGB1HK-102Y	C CAPACITOR				K1002	QQR0621-001Z	FERRITE BEADS		
	C1401	QFVF1HJ-104Z	MF CAPACITOR	.10MF 5% 50V			K1003	QQR0621-001Z	FERRITE BEADS		
	C1402	QEKC1CM-107Z	E CAPACITOR	100MF 20% 16V			K1004	QQR0621-001Z	FERRITE BEADS		
	C1501	EETC1CM-107ZJC	E CAPACITOR				K1005	QQR0621-001Z	FERRITE BEADS		
	C1502	QCFB1HZ-105Y	ML C CAPACITOR	1.0MF +80:-20%			K1006	QQR0621-001Z	FERRITE BEADS		
	C1601	EETC1CM-107ZJC	E CAPACITOR				K1009	QQR0779-001Z	INDUCTOR		
	C1602	QCFB1HZ-104Y	C CAPACITOR	.10MF +80:-20%			K1010	QQR0779-001Z	INDUCTOR		
	C1701	QETN1CM-107Z	E CAPACITOR	100MF 20% 16V			L1003	QQL231K-470Y	INDUCTOR		
	C1704	QDGB1HK-102Y	C CAPACITOR				L1004	QQL231K-470Y	INDUCTOR		
	C1705	QDGB1HK-102Y	C CAPACITOR				L1005	QQL231K-470Y	INDUCTOR		

■ Electrical parts list (Main board)

Block No. 02

△	Item	Parts number	Parts name	Remarks	Area	△	Item	Parts number	Parts name	Remarks	Area
△	L1006	QQR1145-001	LINE FILTER	EMC FILTER			R1802	QRE141J-681Y	C RESISTOR	680 5% 1/4W	
	L1101	QQR0797-001	INDUCTOR				R1803	QRE141J-681Y	C RESISTOR	680 5% 1/4W	
	L1201	QQR0797-001	INDUCTOR				R1804	QRE141J-681Y	C RESISTOR	680 5% 1/4W	
	Q1004	KTC3199/GL/-T	TRANSISTOR				R1805	QRE141J-472Y	C RESISTOR	4.7K 5% 1/4W	
	Q1023	KRA101M-T	TRANSISTOR				R1806	QRE141J-272Y	C RESISTOR	2.7K 5% 1/4W	
	Q1102	2SC3576-JVC-T	TRANSISTOR				R1807	QRE141J-681Y	C RESISTOR	680 5% 1/4W	
	Q1202	2SC3576-JVC-T	TRANSISTOR				R1901	QRE141J-822Y	C RESISTOR	8.2K 5% 1/4W	
	Q1301	2SC2001/LK/-T	TRANSISTOR				R1902	QRE141J-122Y	C RESISTOR	1.2K 5% 1/4W	
	Q1607	KRC110M-T	TRANSISTOR				R1923	QRE141J-512Y	C RESISTOR	5.1K 5% 1/4W	
	Q1701	DTA144WSA-T	D TRANSISTOR				R1924	QRE141J-102Y	C RESISTOR	1.0K 5% 1/4W	
	Q1702	DTA144WSA-T	D TRANSISTOR				R1925	QRE141J-223Y	C RESISTOR	22K 5% 1/4W	
	Q1703	DTA144WSA-T	D TRANSISTOR				R1926	QRE141J-153Y	C RESISTOR	15K 5% 1/4W	
	Q1704	DTA144WSA-T	D TRANSISTOR				R2601	QRE141J-102Y	C RESISTOR	1.0K 5% 1/4W	
	Q1705	DTC144WSA-T	DIGI TRANSISTOR				R2602	QRE141J-102Y	C RESISTOR	1.0K 5% 1/4W	
	Q1706	KTA1023/OY/-T	TRANSISTOR				R2603	QRE141J-122Y	C RESISTOR	1.2K 5% 1/4W	
	Q1707	KTC3199/GL/-T	TRANSISTOR				R2604	QRE141J-152Y	C RESISTOR	1.5K 5% 1/4W	
	Q1708	KTC3199/GL/-T	TRANSISTOR				R2605	QRE141J-222Y	C RESISTOR	2.2K 5% 1/4W	
△	Q1801	KTB772/Y/	TRANSISTOR				R2606	QRE141J-272Y	C RESISTOR	2.7K 5% 1/4W	
	Q1802	KTC3199/GL/-T	TRANSISTOR				R2607	QRE141J-392Y	C RESISTOR	3.9K 5% 1/4W	
	Q1803	KTC3199/GL/-T	TRANSISTOR				R2608	QRE141J-102Y	C RESISTOR	1.0K 5% 1/4W	
	Q1908	2SA1038S/SE/-T	TRANSISTOR				R2609	QRE141J-102Y	C RESISTOR	1.0K 5% 1/4W	
	Q1909	2SA1038S/SE/-T	TRANSISTOR				R2610	QRE141J-122Y	C RESISTOR	1.2K 5% 1/4W	
	Q1910	DTC144ESA-T	D TRANSISTOR				R2611	QRE141J-152Y	C RESISTOR	1.5K 5% 1/4W	
△	RY801	QSK0124-001	RELAY				R2612	QRE141J-222Y	C RESISTOR	2.2K 5% 1/4W	
	R1004	QRE141J-332Y	C RESISTOR	3.3K 5% 1/4W			R2613	QRE141J-272Y	C RESISTOR	2.7K 5% 1/4W	
	R1049	QRE141J-331Y	C RESISTOR	330 5% 1/4W			R2617	QRE141J-562Y	C RESISTOR	5.6K 5% 1/4W	
	R1077	QRE141J-103Y	C RESISTOR	10K 5% 1/4W			SW201	QSW0803-001	PUSH SWITCH	MIDDLE SWITCH	
	R1086	QRE141J-682Y	C RESISTOR	6.8K 5% 1/4W			SW202	QSW0933-001	DETECT SWITCH	UP/DOWN SWITCH	
	R1087	QRE141J-682Y	C RESISTOR	6.8K 5% 1/4W			S2601	QSW0674-001Z	TACT SW	MD OPEN/CLOSE	
	R1090	QRE141J-151Y	C RESISTOR	150 5% 1/4W			S2602	QSW0674-001Z	TACT SW	MD	
	R1091	QRE141J-151Y	C RESISTOR	150 5% 1/4W			S2603	QSW0674-001Z	TACT SW	CD	
	R1101	QRE141J-123Y	C RESISTOR	12K 5% 1/4W			S2604	QSW0674-001Z	TACT SW	TAPE	
	R1109	QRE141J-153Y	C RESISTOR	15K 5% 1/4W			S2605	QSW0674-001Z	TACT SW	FM/AM	
	R1110	QRE141J-472Y	C RESISTOR	4.7K 5% 1/4W			S2606	QSW0674-001Z	TACT SW	CD OPEN/CLOSE	
	R1111	QRE141J-2R2Y	C RESISTOR	2.2 5% 1/4W			S2607	QSW0674-001Z	TACT SW	VOLUME +	
	R1112	QRE141J-2R2Y	C RESISTOR	2.2 5% 1/4W			S2608	QSW0674-001Z	TACT SW	VOLUME -	
	R1113	QRE141J-223Y	C RESISTOR	22K 5% 1/4W			S2609	QSW0674-001Z	TACT SW	POWER	
	R1114	QRE141J-223Y	C RESISTOR	22K 5% 1/4W			S2610	QSW0674-001Z	TACT SW	COLOR	
	R1115	QRE141J-471Y	C RESISTOR	470 5% 1/4W			S2611	QSW0674-001Z	TACT SW	AUX	
	R1201	QRE141J-123Y	C RESISTOR	12K 5% 1/4W			S2612	QSW0674-001Z	TACT SW	REC MODE	
	R1209	QRE141J-153Y	C RESISTOR	15K 5% 1/4W			S2613	QSW0674-001Z	TACT SW	REC	
	R1210	QRE141J-472Y	C RESISTOR	4.7K 5% 1/4W			S2614	QSW0674-001Z	TACT SW	REVERSE	
	R1211	QRE141J-2R2Y	C RESISTOR	2.2 5% 1/4W			S2615	QSW0674-001Z	TACT SW	FORWARD	
	R1212	QRE141J-2R2Y	C RESISTOR	2.2 5% 1/4W			S2616	QSW0674-001Z	TACT SW	STOP	
	R1213	QRE141J-223Y	C RESISTOR	22K 5% 1/4W			S2617	QSW0674-001Z	TACT SW	MD GROUP	
	R1214	QRE141J-223Y	C RESISTOR	22K 5% 1/4W			△	T1002	QQT0349-002	POWER TRANSF	
	R1215	QRE141J-471Y	C RESISTOR	470 5% 1/4W			T1003	QAD0015-103Z	THERMISTOR		
	R1301	QRE141J-561Y	C RESISTOR	560 5% 1/4W			W1001	WJK0135-001A	E-SI C WIRE C-B		
	R1501	QRE141J-622Y	C RESISTOR	6.2K 5% 1/4W			Z1001	QNG0020-001Z	FUSE CLIP		
	R1502	QRE141J-122Y	C RESISTOR	1.2K 5% 1/4W			Z1002	QNG0020-001Z	FUSE CLIP		
	R1601	QRE141J-472Y	C RESISTOR	4.7K 5% 1/4W			Z1007	QNG0020-001Z	FUSE CLIP		
	R1602	QRE141J-122Y	C RESISTOR	1.2K 5% 1/4W			Z1008	QNG0020-001Z	FUSE CLIP		
	R1615	QRE141J-471Y	C RESISTOR	470 5% 1/4W			Z1009	QNG0020-001Z	FUSE CLIP		
	R1616	QRE141J-103Y	C RESISTOR	10K 5% 1/4W			Z1010	QNG0020-001Z	FUSE CLIP		
	R1617	QRE141J-182Y	C RESISTOR	1.8K 5% 1/4W							
	R1702	QRE141J-562Y	C RESISTOR	5.6K 5% 1/4W							
	R1703	QRE141J-562Y	C RESISTOR	5.6K 5% 1/4W							
	R1704	QRE141J-562Y	C RESISTOR	5.6K 5% 1/4W							
	R1705	QRE141J-562Y	C RESISTOR	5.6K 5% 1/4W							
	R1706	QRE141J-103Y	C RESISTOR	10K 5% 1/4W							
	R1707	QRE141J-102Y	C RESISTOR	1.0K 5% 1/4W							
	R1708	QRE141J-102Y	C RESISTOR	1.0K 5% 1/4W							
	R1801	QRE141J-681Y	C RESISTOR	680 5% 1/4W							

■ Electrical parts list (Tuner board)

Block No. 03

△	Item	Parts number	Parts name	Remarks	Area
	C 1	NCB21HK-223X	C CAPACITOR		
	C 2	NCB21HK-103X	C CAPACITOR		
	C 3	EETC1CM-106ZJC	E CAPACITOR		
	C 4	NCB21HK-103X	C CAPACITOR		
	C 6	NCB21HK-102X	C CAPACITOR		
	C 7	NCB21HK-102X	C CAPACITOR		
	C 8	NCB21HK-102X	C CAPACITOR		
	C 10	NRSA02J-0R0X	MG RESISTOR		
	C 11	NCB21HK-104X	C CAPACITOR		
	C 12	NCB21HK-473X	C CAPACITOR		
	C 13	NCS21HJ-120X	C CAPACITOR		
	C 14	EEKC1AM-107ZJC	E CAPACITOR		
	C 15	NCS21HJ-120X	C CAPACITOR		
	C 16	NCS21HJ-120X	C CAPACITOR		
	C 17	NCB21HK-392X	C CAPACITOR		
	C 18	QEQ61HM-474Z	NP E CAPACITOR	.47MF 20% 50V	
	C 19	NCB21HK-473X	C CAPACITOR		
	C 20	NCB21HK-102X	C CAPACITOR		
	C 21	NCB21HK-223X	C CAPACITOR		
	C 22	NCS21HJ-151X	C CAPACITOR		
	C 23	NCS21HJ-151X	C CAPACITOR		
	C 24	NCS21HJ-151X	C CAPACITOR		
	C 25	EEKC1AM-107ZJC	E CAPACITOR		
	C 26	NCB21HK-102X	C CAPACITOR		
	C 27	NCB21HK-102X	C CAPACITOR		
	C 30	EEKC1CM-107ZJC	E CAPACITOR		
	C 31	EEKC1CM-226ZJC	E CAPACITOR		
	C 32	NCB21HK-473X	C CAPACITOR		
	C 33	NCB21HK-473X	C CAPACITOR		
	C 34	NCB21HK-223X	C CAPACITOR		
	C 35	NCB21HK-473X	C CAPACITOR		
	C 36	EEKC1HM-105ZJC	E CAPACITOR		
	C 37	EEKC1HM-105ZJC	E CAPACITOR		
	C 38	EETC1HM-224ZJC	E CAPACITOR		
	C 39	EETC1HM-105ZJC	E CAPACITOR		
	C 40	QETN1CM-106Z	E CAPACITOR	10MF 20% 16V	
	C 41	QETN1CM-106Z	E CAPACITOR	10MF 20% 16V	
	C 42	NCB21HK-152X	C CAPACITOR		
	C 43	NCB21HK-152X	C CAPACITOR		
	C 44	QETN1CM-106Z	E CAPACITOR	10MF 20% 16V	
	C 45	QETN1CM-106Z	E CAPACITOR	10MF 20% 16V	
	C 46	NCB21HK-273X	C CAPACITOR		
	C 47	EETC1HM-105ZJC	E CAPACITOR		
	C 48	NCB21HK-222X	C CAPACITOR		
	C 49	NCS21HJ-471X	C CAPACITOR		
	C 50	EEKC1CM-226ZJC	E CAPACITOR		
	C 51	EEKC1HM-105ZJC	E CAPACITOR		
	C 52	QFVJ1HJ-274Z	MF CAPACITOR	.27MF 5% 50V	
	C 53	EETC1CM-226ZJC	E CAPACITOR		
	C 54	NCB21HK-473X	C CAPACITOR		
	C 57	NCB21HK-102X	C CAPACITOR		
	C 58	NCB21HK-473X	C CAPACITOR		
	C 59	NCB21HK-102X	C CAPACITOR		
	CF 1	QAX0677-001Z	C FILTER		
	CF 2	QAX0677-001Z	C FILTER		
	CF 3	QAX0610-001Z	C DISCRIMINATOR		
	CN 1	QGF1205F1-09	CONNECTOR		
	D 1	1SS133-T2	SI DIODE		
	D 2	1SS133-T2	SI DIODE		
	D 3	1SS133-T2	SI DIODE		
	D 4	1SS133-T2	SI DIODE		
	D 11	1SS133-T2	SI DIODE		
	IC 1	LA1838	IC		

△	Item	Parts number	Parts name	Remarks	Area
	IC 2	LC72136N	IC		
	J 1	QNB0014-001	ANT TERMINAL		
	L 1	QQR0796-002	COIL BLOCK		
	Q 1	2SC2814/4-5/-X	TRANSISTOR		
	Q 5	DTA114YKA-X	TRANSISTOR		
	R 1	QRE141J-560Y	C RESISTOR	56 5% 1/4W	
	R 2	NRSA02J-331X	MG RESISTOR		
	R 3	NRSA02J-224X	MG RESISTOR		
	R 4	NRSA02J-331X	MG RESISTOR		
	R 5	NRSA02J-560X	MG RESISTOR		
	R 6	NRSA02J-240X	MG RESISTOR		
	R 10	NRSA02J-222X	MG RESISTOR		
	R 13	NRSA02J-103X	MG RESISTOR		
	R 14	NRSA02J-104X	MG RESISTOR		
	R 15	NRSA02J-332X	MG RESISTOR		
	R 16	NRSA02J-472X	MG RESISTOR		
△	R 17	QRZ9005-680X	F RESISTOR	68 1W	
	R 18	NRSA02J-102X	MG RESISTOR		
	R 19	NRSA02J-102X	MG RESISTOR		
	R 20	NRSA02J-102X	MG RESISTOR		
	R 21	NRSA02J-562X	MG RESISTOR		
	R 22	NRSA02J-472X	MG RESISTOR		
	R 23	NRSA02J-182X	MG RESISTOR		
	R 24	NRSA02J-103X	MG RESISTOR		
	R 25	NRSA02J-331X	MG RESISTOR		
	R 26	NRSA02J-222X	MG RESISTOR		
	R 27	NRSA02J-103X	MG RESISTOR		
	R 28	NRSA02J-103X	MG RESISTOR		
	R 29	NRSA02J-103X	MG RESISTOR		
	R 30	NRSA02J-122X	MG RESISTOR		
	R 31	NRSA02J-102X	MG RESISTOR		
	R 32	NRSA02J-102X	MG RESISTOR		
	R 33	NRSA02J-331X	MG RESISTOR		
	R 34	NRSA02J-470X	MG RESISTOR		
	R 35	NRSA02J-562X	MG RESISTOR		
	R 36	NRSA02J-332X	MG RESISTOR		
	R 37	NRSA02J-103X	MG RESISTOR		
	R 38	NRSA02J-563X	MG RESISTOR		
	R 39	NRSA02J-563X	MG RESISTOR		
	R 40	NRSA02J-243X	MG RESISTOR		
	R 41	NRSA02J-332X	MG RESISTOR		
	R 60	NRSA02J-0R0X	MG RESISTOR		
	T 1	QQR0793-001	IFT		
	TU 1	QAU0161-001	FRONT END		
	X 1	QAX0402-001	CRYSTAL		

■ Electrical parts list (CD servo board)

Block No. 04

△	Item	Parts number	Parts name	Remarks	Area	△	Item	Parts number	Parts name	Remarks	Area
	C 254	QERF1AM-476Z	E CAPACITOR	47MF 20% 10V			C 862	NCB31HK-102X	C CAPACITOR		
	C 255	NCB31CK-104X	C CAPACITOR				C 863	NCB31HK-272X	C CAPACITOR		
	C 256	NCB31CK-104X	C CAPACITOR				C 864	NCB31HK-272X	C CAPACITOR		
	C 271	NCS31HJ-101X	C CAPACITOR				CN601	QGF1037F1-15W	CONNECTOR	PICK UP/TR.MECH	
	C 272	NCS31HJ-101X	C CAPACITOR				CN605	QGF1016F2-04W	CONNECTOR	CD TEXT	
	C 273	NCB31CK-104X	C CAPACITOR				CN606	QGF1016F2-08W	CONNECTOR	4T I/F	
	C 291	NCB21CK-105X	C CAPACITOR				CN651	QGF1016F3-19	CONNECTOR	MAIN	
	C 292	NCB21CK-105X	C CAPACITOR				D 251	DA204U-X	DIODE		
	C 601	NCB31HK-102X	C CAPACITOR				D 292	MA112-X	DIODE		
	C 602	NCB31HK-102X	C CAPACITOR				D 603	1S355-X	DIODE		
	C 603	NCB31EK-223X	C CAPACITOR				HL251	VYH7653-002	IC HOLDER	FOR IC251	
	C 604	NCB31EK-223X	C CAPACITOR				IC251	UPD780024AGKB21	IC	MICOM	
	C 605	NCS31HJ-271X	C CAPACITOR				IC291	XC62HR3502P-X	IC	3.5VREG	
	C 606	NCS31HJ-820X	C CAPACITOR				IC601	AN22000A-W	IC	RF AMP	
	C 610	NCB31CK-563X	C CAPACITOR				IC651	MN662790RSC	IC	DSP & DAC	
	C 611	NCB21CK-104X	C CAPACITOR				IC801	LA6541-X	IC	PU DRIVE	
	C 612	QEKC1HM-104Z	E CAPACITOR	.10MF 20% 50V			K 655	NQR0007-002X	FERRITE BEADS	TX	
	C 614	NCB31CK-393X	C CAPACITOR				K 656	NQR0251-004X	FERRITE BEADS	SRDATA	
	C 615	NCB31HK-272X	C CAPACITOR				K 657	NQR0251-004X	FERRITE BEADS	LRCK	
	C 616	NCB31HK-681X	C CAPACITOR				K 658	NQR0251-004X	FERRITE BEADS	BCLK	
	C 617	NCB31HK-331X	C CAPACITOR				Q 631	2SA1037AK/RS/-X	TRANSISTOR	APC	
	C 621	NCB31CK-104X	C CAPACITOR				Q 651	DTC114EUA-X	TRANSISTOR		
	C 622	QEKC0JM-107Z	E CAPACITOR	100MF 20% 6.3V			Q 652	DTC114EUA-X	TRANSISTOR	RF EQ	
	C 623	NCF21CZ-105X	C CAPACITOR				Q 673	DTA114EKA-X	D TRANSISTOR	IREF CHANGE	
	C 624	QEKC0JM-107Z	E CAPACITOR	100MF 20% 6.3V			R 251	NRSA63J-102X	MG RESISTOR		
	C 631	QEKC1CM-106Z	E CAPACITOR	10MF 20% 16V			R 252	NRSA63J-102X	MG RESISTOR		
	C 632	NCF21CZ-105X	C CAPACITOR				R 253	NRSA63J-102X	MG RESISTOR		
	C 633	NCB31EK-223X	C CAPACITOR				R 254	NRSA63J-102X	MG RESISTOR		
	C 651	NCS31HJ-1R0X	C CAPACITOR				R 255	NRSA63J-102X	MG RESISTOR		
	C 652	NCS31HJ-1R0X	C CAPACITOR				R 256	NRSA63J-102X	MG RESISTOR		
	C 653	NCB31AK-334X	C CAPACITOR				R 257	NRSA63J-102X	MG RESISTOR		
	C 655	NCB31CK-104X	C CAPACITOR				R 258	NRSA63J-102X	MG RESISTOR		
	C 656	NCB31CK-104X	C CAPACITOR				R 259	NRSA63J-102X	MG RESISTOR		
	C 657	QEKC0JM-107Z	E CAPACITOR	100MF 20% 6.3V			R 260	NRSA63J-102X	MG RESISTOR		
	C 658	NCB31CK-104X	C CAPACITOR				R 261	NRSA63J-0R0X	MG RESISTOR		
	C 661	NCS31HJ-471X	C CAPACITOR				R 262	NRSA63J-102X	MG RESISTOR		
	C 663	NCB31EK-223X	C CAPACITOR				R 263	NRSA63J-102X	MG RESISTOR		
	C 664	NCB31EK-223X	C CAPACITOR				R 264	NRSA63J-103X	MG RESISTOR		
	C 665	NCB21CK-154X	C CAPACITOR				R 265	NRSA63J-183X	MG RESISTOR		
	C 667	NCB21CK-474X	C CAPACITOR				R 271	NRSA63J-103X	MG RESISTOR		
	C 668	NCB31CK-473X	C CAPACITOR				R 272	NRSA63J-103X	MG RESISTOR		
	C 673	QER60JM-107Z	E CAPACITOR	100MF 20% 6.3V			R 273	NRSA63J-103X	MG RESISTOR		
	C 676	NCB31CK-104X	C CAPACITOR				R 274	NRSA63J-682X	MG RESISTOR		
	C 677	NCB31CK-104X	C CAPACITOR				R 275	NRSA63J-103X	MG RESISTOR		
	C 678	NCB31CK-104X	C CAPACITOR				R 281	NRSA63J-102X	MG RESISTOR		
	C 679	QEKC0JM-107Z	E CAPACITOR	100MF 20% 6.3V			R 282	NRSA63J-102X	MG RESISTOR		
	C 680	NCB31CK-104X	C CAPACITOR				R 283	NRSA63J-101X	MG RESISTOR		
	C 681	NCS31HJ-6R0X	C CAPACITOR				R 284	NRSA63J-102X	MG RESISTOR		
	C 682	NCS31HJ-150X	C CAPACITOR				R 285	NRSA63J-102X	MG RESISTOR		
	C 683	NCS31HJ-220X	C CAPACITOR				R 291	NRSA63J-103X	MG RESISTOR		
	C 801	NCB31EK-223X	C CAPACITOR				R 292	NRSA63J-1R0X	MG RESISTOR		
	C 802	NCS31HJ-102X	C CAPACITOR				R 293	NRSA63J-1R0X	MG RESISTOR		
	C 811	NCS31HJ-391X	C CAPACITOR				R 601	NRSA63J-224X	MG RESISTOR		
	C 812	NCS31HJ-391X	C CAPACITOR				R 602	NRSA63J-823X	MG RESISTOR		
	C 813	NCS31HJ-391X	C CAPACITOR				R 603	NRSA63J-393X	MG RESISTOR		
	C 814	NCS31HJ-391X	C CAPACITOR				R 604	NRSA63J-224X	MG RESISTOR		
	C 815	NCB21AK-105X	C CAPACITOR				R 607	NRSA63J-473X	MG RESISTOR		
	C 816	NCB20JK-155X	C CAPACITOR				R 608	NRSA63J-473X	MG RESISTOR		
	C 817	NCF21CZ-105X	C CAPACITOR				R 611	NRSA63J-562X	MG RESISTOR		
	C 818	NCF21CZ-105X	C CAPACITOR				R 613	NRSA63J-562X	MG RESISTOR		
	C 821	NCF21CZ-105X	C CAPACITOR				R 617	NRSA63J-332X	MG RESISTOR		
	C 822	QERF1AM-227Z	E CAPACITOR	220MF 20% 10V			R 631	NRSA63J-2R2X	MG RESISTOR		
	C 861	NCB31HK-102X	C CAPACITOR				R 632	NRSA63J-3R9X	MG RESISTOR		

■ Electrical parts list (CD servo board)

Block No. 04

△	Item	Parts number	Parts name	Remarks	Area
	R 634	NRSA63J-3R9X	MG RESISTOR		
	R 635	NRSA63J-100X	MG RESISTOR		
	R 636	NRSA63J-151X	MG RESISTOR		
	R 651	NRSA63J-102X	MG RESISTOR		
	R 652	NRSA63J-102X	MG RESISTOR		
	R 653	NRSA63J-102X	MG RESISTOR		
	R 654	NRSA63J-102X	MG RESISTOR		
	R 659	NRSA63J-203X	MG RESISTOR		
	R 661	NRSA63J-473X	MG RESISTOR		
	R 662	NRSA63J-683X	MG RESISTOR		
	R 663	NRSA63J-683X	MG RESISTOR		
	R 664	NRSA63J-331X	MG RESISTOR		
	R 665	NRSA63J-101X	MG RESISTOR		
	R 666	NRSA02J-101X	MG RESISTOR		
	R 667	NRSA63J-4R7X	MG RESISTOR		
	R 668	NRSA63J-155X	MG RESISTOR		
	R 669	NRSA63J-562X	MG RESISTOR		
	R 671	NRSA63J-684X	MG RESISTOR		
	R 673	NRSA63J-683X	MG RESISTOR		
	R 675	NRSA63J-100X	MG RESISTOR		
	R 677	NRSA63J-102X	MG RESISTOR		
	R 678	NRSA63J-102X	MG RESISTOR		
	R 679	NRSA63J-102X	MG RESISTOR		
	R 682	NRSA63J-102X	MG RESISTOR		
	R 683	NRSA63J-105X	MG RESISTOR		
	R 685	NRSA63J-683X	MG RESISTOR		
	R 801	NRSA63J-272X	MG RESISTOR		
	R 802	NRSA63J-152X	MG RESISTOR		
	R 803	NRSA63J-472X	MG RESISTOR		
	R 804	NRSA63J-103X	MG RESISTOR		
	R 805	NRSA63J-123X	MG RESISTOR		
	R 808	NRSA63J-183X	MG RESISTOR		
	R 809	NRSA63J-152X	MG RESISTOR		
	R 811	NRSA63J-473X	MG RESISTOR		
	R 812	NRSA63J-152X	MG RESISTOR		
	R 813	NRSA63J-182X	MG RESISTOR		
	R 861	NRSA63J-681X	MG RESISTOR		
	R 862	NRSA63J-681X	MG RESISTOR		
	R 863	NRSA63J-561X	MG RESISTOR		
	R 864	NRSA63J-561X	MG RESISTOR		
	SW101	QSW0927-001	SWITCH	REST SW	
	SW102	QSW0931-001	SWITCH	TRAY SW	
	X 251	QAX0664-001Z	C OSCILLATOR	FOR IC251 8.38M	
	X 651	NAX0476-001X	CRYSTAL	FOR IC651	

■ Electrical parts list (MD servo control board) Block No. 05

△	Item	Parts number	Parts name	Remarks	Area	△	Item	Parts number	Parts name	Remarks	Area
	C 300	NCF31CZ-104X	C CAPACITOR				C 455	NDC32AJ-101X	C CAPACITOR		
	C 302	NCF31CZ-104X	C CAPACITOR				C 481	NCF21CZ-105X	C CAPACITOR		
	C 307	NCB31HK-222X	C CAPACITOR				C 483	NCF31CZ-104X	C CAPACITOR		
	C 310	NCB31HK-102X	C CAPACITOR				C 484	NEAD1CM-106X	E CAPACITOR		
	C 311	NCF21CZ-105X	C CAPACITOR				C 485	NCF31CZ-104X	C CAPACITOR		
	C 312	NEA70GM-476X	E CAPACITOR				C 486	NCF31CZ-104X	C CAPACITOR		
	C 314	NCB31CK-223X	C CAPACITOR				C 487	NCF31CZ-104X	C CAPACITOR		
	C 315	NCB31HK-102X	C CAPACITOR				C 488	NEAD1CM-106X	E CAPACITOR		
	C 316	NCF21CZ-105X	C CAPACITOR				C 489	NEAD1VM-475X	E CAPACITOR		
	C 318	NCB31HK-682X	C CAPACITOR				C 490	NCB31CK-103X	C CAPACITOR		
	C 319	NCB31CK-333X	C CAPACITOR				C 491	NCB31HK-102X	C CAPACITOR		
	C 320	NCB21AK-105X	C CAPACITOR				C 492	NCB31HK-102X	C CAPACITOR		
	C 321	NCB31HK-472X	C CAPACITOR				C 496	NCF21CZ-105X	C CAPACITOR		
	C 322	NCB21AK-105X	C CAPACITOR				C 497	NCF31CZ-104X	C CAPACITOR		
	C 323	NCB31HK-682X	C CAPACITOR				C 501	NCS31HJ-180X	C CAPACITOR		
	C 324	NCB21CK-224X	C CAPACITOR				C 502	NCS31HJ-180X	C CAPACITOR		
	C 325	NCB31CK-103X	C CAPACITOR				C 511	NCF31CZ-104X	C CAPACITOR		
	C 326	NCB31CK-223X	C CAPACITOR				C 512	NCF31CZ-104X	C CAPACITOR		
	C 327	NCB31CK-104X	C CAPACITOR				C 515	NCF31CZ-104X	C CAPACITOR		
	C 328	NCB31CK-104X	C CAPACITOR				C 590	NCS31HJ-101X	C CAPACITOR		
	C 330	NCF31CZ-104X	C CAPACITOR				C 591	NCF31CZ-104X	C CAPACITOR		
	C 333	NCB21CK-154X	C CAPACITOR				CN321	QGF0501F2-21X	CONNECTOR	FOR PICK-UP A'S	
	C 334	NCF31CZ-104X	C CAPACITOR				CN407	QGF1006F2-08W	SOCKET	FOR CAM SW	
	C 340	NCB31CK-223X	C CAPACITOR				CN408	QGF1006F2-09W	CONNECTOR	FOR TRAMECHA PW	
	C 341	NCB31CK-223X	C CAPACITOR				CN451	QGF1016F2-04W	CONNECTOR	FOR HEAD	
	C 342	NCF31CZ-104X	C CAPACITOR				CN521	QGF1006F2-21W	SOCKET	FOR SYSTEM	
	C 350	NEA70GM-476X	E CAPACITOR				CN522	QGF1006F2-08W	SOCKET	FOR CD	
	C 351	NCF21CZ-105X	C CAPACITOR				CN601	QGF1006F2-09W	CONNECTOR		
	C 352	NEA70GM-476X	E CAPACITOR				D 310	1SS355-X	DIODE	TEMP DET	
	C 353	NCF21CZ-105X	C CAPACITOR				D 451	RB160L-60-X	SB DIODE		
	C 354	NCF21CZ-105X	C CAPACITOR				D 452	RB160L-60-X	SB DIODE		
	C 355	NCF31CZ-104X	C CAPACITOR				IC310	CXA2523AR	IC	RF	
	C 358	NCF31CZ-104X	C CAPACITOR				IC340	TC7S08F-W	IC	APC PWM BUFFER	
	C 359	NCF31CZ-104X	C CAPACITOR				IC350	CXD2662R	IC	MD DSP	
	C 361	NCF31CZ-104X	C CAPACITOR				IC390	M11L1644SA-50T	IC(DRAM)	4M*4 DRAM	
	C 375	NCB31CK-103X	C CAPACITOR				IC400	XC62ER3602M-X	IC	3.6V REG	
	C 376	NCB21CK-474X	C CAPACITOR				IC410	M63008FP-X	IC	BTL DRIVER	
	C 377	NCB31HK-471X	C CAPACITOR				IC450	BD7910FV-X	IC	DRIVER	
	C 378	NCS31HJ-330X	C CAPACITOR				IC480	AK4519VF-X	IC		
	C 379	NCB21CK-474X	C CAPACITOR				IC485	TK11140SC-W	IC		
	C 380	NCB31CK-153X	C CAPACITOR				IC500	UPD784217AGC152	IC(MCU)		
	C 400	NEAD1CM-226X	E CAPACITOR				IC590	BR93LC66F-X	IC	256*16BIT EEPROM	
	C 401	NEAD0JM-107X	E CAPACITOR				K 346	NQR0360-002X	FERRITE BEADS		
	C 402	NCB31HK-331X	C CAPACITOR				K 353	NQR0389-003X	FERRITE BEADS		
	C 403	NEAD0GM-476X	E CAPACITOR				K 491	NRSA63J-0R0X	MG RESISTOR		
	C 407	NCS31HJ-101X	C CAPACITOR				K 492	NRSA63J-0R0X	MG RESISTOR		
	C 409	NCB31CK-104X	C CAPACITOR				K 495	NRSA63J-0R0X	MG RESISTOR		
	C 411	NCF21CZ-105X	C CAPACITOR				K 496	NRSA63J-0R0X	MG RESISTOR		
	C 412	NCF31CZ-104X	C CAPACITOR				K 505	NQR0389-003X	FERRITE BEADS		
	C 421	NCB31HK-561X	C CAPACITOR				K 521	NQR0354-001X	FERRITE BEADS		
	C 423	NCB31HK-561X	C CAPACITOR				K 522	NQR0354-001X	FERRITE BEADS		
	C 425	NCB31HK-561X	C CAPACITOR				K 523	NQR0389-003X	FERRITE BEADS		
	C 427	NCB31HK-561X	C CAPACITOR				K 524	NQR0389-003X	FERRITE BEADS		
	C 429	NCB31HK-392X	C CAPACITOR				K 527	NRSA63J-0R0X	MG RESISTOR		
	C 431	NCB31HK-392X	C CAPACITOR				K 528	NRSA63J-0R0X	MG RESISTOR		
	C 433	NCB31HK-562X	C CAPACITOR				K 529	NRSA63J-0R0X	MG RESISTOR		
	C 435	NCB31HK-562X	C CAPACITOR				K 530	NRSA63J-0R0X	MG RESISTOR		
	C 437	NCB31CK-103X	C CAPACITOR				K 531	NRSA63J-0R0X	MG RESISTOR		
	C 439	NCB31CK-103X	C CAPACITOR				K 532	NRSA63J-0R0X	MG RESISTOR		
	C 450	NEA71CM-107X	E CAPACITOR				L 351	NQL38DK-100X	INDUCTOR		
	C 451	NEA70GM-107X	E CAPACITOR				L 352	NQL38DK-100X	INDUCTOR		
	C 452	NCF31CZ-104X	C CAPACITOR				L 525	NQL274M-1R5X	INDUCTOR		
	C 453	NCF31CZ-104X	C CAPACITOR				L 526	NQL274M-1R5X	INDUCTOR		

■ Electrical parts list (MD servo control board) Block No. 05

△	Item	Parts number	Parts name	Remarks	Area	△	Item	Parts number	Parts name	Remarks	Area
	Q 330	2SA1362/G/-X	TRANSISTOR				R 380	NRSA63J-105X	MG RESISTOR		
	Q 331	KRA102S-X	D TRANSISTOR				R 381	NRSA63J-102X	MG RESISTOR		
	Q 332	KRA116S-X	TRANSISTOR				R 382	NRSA63J-151X	MG RESISTOR		
	Q 333	KRA116S-X	TRANSISTOR				R 387	NRSA63J-102X	MG RESISTOR		
	Q 400	2SA1363/EF/-X	TRANSISTOR	4.6V REG			R 389	NRSA63J-331X	MG RESISTOR		
	Q 401	2SA1363/EF/-X	TRANSISTOR	3.6V REG			R 390	NRSA63J-102X	MG RESISTOR		
	Q 410	KRC102S-X	D TRANSISTOR				R 391	NRSA63J-561X	MG RESISTOR		
	Q 411	KRC102S-X	D TRANSISTOR				R 392	NRSA63J-102X	MG RESISTOR		
	R 300	NRSA63J-0R0X	MG RESISTOR				R 393	NRSA63J-102X	MG RESISTOR		
	R 301	NRS181J-0R0X	MG RESISTOR				R 394	NRSA63J-102X	MG RESISTOR		
	R 302	NRSA63J-0R0X	MG RESISTOR				R 395	NRSA63J-102X	MG RESISTOR		
	R 305	NRSA63J-222X	MG RESISTOR				R 396	NRSA63J-331X	MG RESISTOR		
	R 306	NRSA63J-474X	MG RESISTOR				R 397	NRSA63J-331X	MG RESISTOR		
	R 309	NRSA63J-474X	MG RESISTOR				R 398	NRSA63J-331X	MG RESISTOR		
	R 310	NRSA63J-331X	MG RESISTOR				R 399	NRSA63J-102X	MG RESISTOR		
	R 311	NRSA63J-682X	MG RESISTOR				R 401	NRSA63D-153X	MG RESISTOR		
	R 313	NRSA63J-104X	MG RESISTOR				R 402	NRSA63D-562X	MG RESISTOR		
	R 314	NRSA63J-133X	MG RESISTOR				R 403	NRSA63J-471X	MG RESISTOR		
	R 315	NRSA63J-243X	MG RESISTOR				R 404	NRSA63J-333X	MG RESISTOR		
	R 316	NRSA63J-104X	MG RESISTOR				R 420	NRSA63D-223X	MG RESISTOR		
	R 317	NRSA63J-103X	MG RESISTOR				R 421	NRSA63D-103X	MG RESISTOR		
	R 320	NRSA63J-563X	MG RESISTOR				R 422	NRSA63D-223X	MG RESISTOR		
	R 321	NRSA63J-331X	MG RESISTOR				R 423	NRSA63D-103X	MG RESISTOR		
	R 322	NRSA63J-331X	MG RESISTOR				R 424	NRSA63D-223X	MG RESISTOR		
	R 323	NRSA63J-331X	MG RESISTOR				R 425	NRSA63D-103X	MG RESISTOR		
	R 324	NRSA63J-102X	MG RESISTOR				R 426	NRSA63D-223X	MG RESISTOR		
	R 325	NRSA63J-472X	MG RESISTOR				R 427	NRSA63D-103X	MG RESISTOR		
	R 326	NRSA63J-331X	MG RESISTOR				R 428	NRSA63D-243X	MG RESISTOR		
	R 327	NRSA63J-331X	MG RESISTOR				R 429	NRSA63D-392X	MG RESISTOR		
	R 328	NRSA63J-101X	MG RESISTOR				R 430	NRSA63D-243X	MG RESISTOR		
	R 330	NRSA63J-8R2X	MG RESISTOR				R 431	NRSA63D-392X	MG RESISTOR		
	R 331	NRSA63J-270X	MG RESISTOR				R 432	NRSA63D-123X	MG RESISTOR		
	R 332	NRSA63J-473X	MG RESISTOR				R 433	NRSA63D-822X	MG RESISTOR		
	R 333	NRSA63J-473X	MG RESISTOR				R 434	NRSA63D-123X	MG RESISTOR		
	R 334	NRSA63J-473X	MG RESISTOR				R 435	NRSA63D-822X	MG RESISTOR		
	R 335	NRSA63J-473X	MG RESISTOR				R 436	NRSA63J-223X	MG RESISTOR		
	R 336	NRSA63J-104X	MG RESISTOR				R 437	NRSA63J-302X	MG RESISTOR		
	R 337	NRSA63J-1R0X	MG RESISTOR				R 438	NRSA63J-223X	MG RESISTOR		
	R 338	NRSA63J-4R7X	MG RESISTOR				R 439	NRSA63J-302X	MG RESISTOR		
	R 339	NRSA63J-473X	MG RESISTOR				R 440	NRSA63D-103X	MG RESISTOR		
	R 340	NRSA63J-222X	MG RESISTOR				R 441	NRSA63D-103X	MG RESISTOR		
	R 341	NRSA63J-222X	MG RESISTOR				R 451	NRSA63J-473X	MG RESISTOR		
	R 342	NRSA63J-222X	MG RESISTOR				R 452	NRSA63J-563X	MG RESISTOR		
	R 343	NRSA63J-102X	MG RESISTOR				R 453	NRSA63J-1R0X	MG RESISTOR		
	R 354	NRSA63D-103X	MG RESISTOR				R 454	NRSA63J-1R0X	MG RESISTOR		
	R 355	NRSA63D-103X	MG RESISTOR				R 456	NAD0006-103X	THERMISTOR		
	R 356	NRSA63J-102X	MG RESISTOR				R 481	NRSA63J-100X	MG RESISTOR		
	R 361	NRSA63J-102X	MG RESISTOR				R 483	NRSA63J-0R0X	MG RESISTOR		
	R 362	NRSA63J-102X	MG RESISTOR				R 491	NRSA63J-471X	MG RESISTOR		
	R 363	NRSA63J-102X	MG RESISTOR				R 492	NRSA63J-471X	MG RESISTOR		
	R 364	NRSA63J-102X	MG RESISTOR				R 495	NRSA63J-471X	MG RESISTOR		
	R 365	NRSA63J-102X	MG RESISTOR				R 496	NRSA63J-471X	MG RESISTOR		
	R 366	NRSA63J-102X	MG RESISTOR				R 497	NRSA63J-1R0X	MG RESISTOR		
	R 367	NRSA63J-102X	MG RESISTOR				R 502	NRSA63J-152X	MG RESISTOR		
	R 368	NRSA63J-102X	MG RESISTOR				R 503	NRSA63J-222X	MG RESISTOR		
	R 369	NRSA63J-102X	MG RESISTOR				R 504	NRSA63J-333X	MG RESISTOR		
	R 371	NRSA63J-103X	MG RESISTOR				R 506	NRSA63J-103X	MG RESISTOR		
	R 372	NRSA63J-103X	MG RESISTOR				R 510	NRSA63J-102X	MG RESISTOR		
	R 375	NRSA63J-103X	MG RESISTOR				R 511	NRSA63J-102X	MG RESISTOR		
	R 376	NRSA63J-104X	MG RESISTOR				R 512	NRSA63J-102X	MG RESISTOR		
	R 377	NRSA63J-684X	MG RESISTOR				R 513	NRSA63J-102X	MG RESISTOR		
	R 378	NRSA63J-332X	MG RESISTOR				R 514	NRSA63J-102X	MG RESISTOR		
	R 379	NRSA63J-102X	MG RESISTOR				R 515	NRSA63J-102X	MG RESISTOR		

■ Electrical parts list (MD servo control board) Block No. 05

△	Item	Parts number	Parts name	Remarks	Area
	R 516	NRSA63J-102X	MG RESISTOR		
	R 518	NRSA63J-102X	MG RESISTOR		
	R 519	NRSA63J-102X	MG RESISTOR		
	R 520	NRSA63J-102X	MG RESISTOR		
	R 521	NRSA63J-102X	MG RESISTOR		
	R 522	NRSA63J-222X	MG RESISTOR		
	R 523	NRSA63J-102X	MG RESISTOR		
	R 524	NRSA63J-102X	MG RESISTOR		
	R 525	NRSA63J-102X	MG RESISTOR		
	R 528	NRSA63J-102X	MG RESISTOR		
	R 529	NRSA63J-102X	MG RESISTOR		
	R 530	NRSA63J-102X	MG RESISTOR		
	R 534	NRSA63J-103X	MG RESISTOR		
	R 536	NRSA63J-103X	MG RESISTOR		
	R 537	NRSA63J-103X	MG RESISTOR		
	R 538	NRSA63J-473X	MG RESISTOR		
	R 540	NRSA63J-473X	MG RESISTOR		
	R 541	NRSA63J-473X	MG RESISTOR		
	R 545	NRSA63J-0R0X	MG RESISTOR		
	R 546	NRSA63J-0R0X	MG RESISTOR		
	R 547	NRSA63J-0R0X	MG RESISTOR		
	R 548	NRSA63J-0R0X	MG RESISTOR		
	R 551	NRSA63J-104X	MG RESISTOR		
	R 552	NRSA63J-104X	MG RESISTOR		
	R 554	NRSA63J-104X	MG RESISTOR		
	R 555	NRSA63J-102X	MG RESISTOR		
	R 556	NRSA63J-102X	MG RESISTOR		
	R 557	NRSA63J-102X	MG RESISTOR		
	R 558	NRSA63J-102X	MG RESISTOR		
	R 559	NRSA63J-0R0X	MG RESISTOR		
	R 560	NRSA63J-0R0X	MG RESISTOR		
	R 561	NRSA63J-0R0X	MG RESISTOR		
	R 562	NRSA63J-0R0X	MG RESISTOR		
	R 563	NRSA63J-102X	MG RESISTOR		
	R 564	NRSA63J-102X	MG RESISTOR		
	R 565	NRSA63J-102X	MG RESISTOR		
	R 567	NRSA63J-102X	MG RESISTOR		
	R 568	NRSA63J-102X	MG RESISTOR		
	R 569	NRSA63J-102X	MG RESISTOR		
	R 570	NRSA63J-223X	MG RESISTOR		
	R 592	NRSA63J-104X	MG RESISTOR		
	R 593	NRSA63J-103X	MG RESISTOR		
	S 601	NSW0165-001X	DETECT SWITCH		
	S 602	NSW0007-001X	PUSH SWITCH		
	X 350	NAX0355-001X	CRYSTAL	90.3168MHZ	
	X 500	NAX0426-001X	CRYSTAL	12.288MHZ	

■ Electrical parts list (MD cam switch board) Block No. 06

△	Item	Parts number	Parts name	Remarks	Area
	CN611	QGF1016F3-08	CONNECTOR		
	CN612	QGA1501F1-02	CONNECTOR		
	S 611	QSW0848-001	CAM SW		

■ Electrical parts list (Head amp lifier board) Block No. 07

△	Item	Parts number	Parts name	Remarks	Area
	C 101	NCS21HJ-821X	C CAPACITOR		
	C 102	NCS21HJ-221X	C CAPACITOR		
	C 103	QEKJ0JM-227Z	E CAPACITOR	220MF 20% 6.3V	
	C 104	NCB21HK-333X	C CAPACITOR		
	C 105	NCB21HK-222X	C CAPACITOR		
	C 106	QEK41CM-106	E CAPACITOR	10MF 20% 16V	
	C 107	NCS21HJ-561X	C CAPACITOR		
	C 108	QEK41EM-475	E CAPACITOR	4.7MF 20% 25V	
	C 109	QEK41EM-475	E CAPACITOR	4.7MF 20% 25V	
	C 110	NCB21HK-682X	C CAPACITOR		
	C 111	NCB21HK-152X	C CAPACITOR		
	C 113	NCB21HK-393X	C CAPACITOR		
	C 121	NCS21HJ-331X	C CAPACITOR		
	C 201	NCS21HJ-821X	C CAPACITOR		
	C 202	NCS21HJ-221X	C CAPACITOR		
	C 203	QEKJ0JM-227Z	E CAPACITOR	220MF 20% 6.3V	
	C 204	NCB21HK-333X	C CAPACITOR		
	C 205	NCB21HK-222X	C CAPACITOR		
	C 206	QEK41CM-106	E CAPACITOR	10MF 20% 16V	
	C 207	NCS21HJ-561X	C CAPACITOR		
	C 208	QEK41EM-475	E CAPACITOR	4.7MF 20% 25V	
	C 209	QEK41EM-475	E CAPACITOR	4.7MF 20% 25V	
	C 210	NCB21HK-682X	C CAPACITOR		
	C 211	NCB21HK-152X	C CAPACITOR		
	C 213	NCB21HK-393X	C CAPACITOR		
	C 221	NCS21HJ-331X	C CAPACITOR		
	C 301	QEKJ1AM-107Z	E CAPACITOR	100MF 20% 10V	
	C 302	NCB21HK-393X	C CAPACITOR		
	C 303	QEKJ0JM-227Z	E CAPACITOR	220MF 20% 6.3V	
	C 304	QEKJ1CM-226Z	E CAPACITOR	22MF 20% 16V	
	C 305	QEKJ1CM-226Z	E CAPACITOR	22MF 20% 16V	
	C 306	QEK41CM-476	E CAPACITOR	47MF 20% 16V	
	C 307	NCB21HK-103X	C CAPACITOR		
	C 308	NCB21HK-152X	C CAPACITOR		
	C 310	NCB21HK-223X	C CAPACITOR		
	C 313	QEKJ1AM-107Z	E CAPACITOR	100MF 20% 10V	
	C 314	QCZ0205-155Z	ML C CAPACITOR	1.5MF	
	C 316	QFG32AJ-223Z	PP CAPACITOR	.022MF 5% 100V	
	C 319	QFLM1HJ-472Z	M CAPACITOR	4700PF 5% 50V	
	C 331	QEK41CM-476	E CAPACITOR	47MF 20% 16V	
	C 334	QEK41EM-475	E CAPACITOR	4.7MF 20% 25V	
	C 371	QEK41EM-475	E CAPACITOR	4.7MF 20% 25V	
	C 374	QEKJ1AM-107Z	E CAPACITOR	100MF 20% 10V	
	C 376	NCB21HK-103X	C CAPACITOR		
	CN 31	QGF1201F3-06	CONNECTOR	PRI/HEAD	
	CN 32	QGB2011M1-10	B TO B CONNECTO	PRI/MECHA	
	CN 33	QGF1205F1-09	CONNECTOR	PRI/MICON	
	CN 34	QGF1201F3-10	CONNECTOR	PRI/AMP	
	D 375	MA3051/M/-X	ZENER DIODE		
	FW 31	QUM024-06A2Z3	PARA RIBON WIRE		
	IC 31	BA3126N	IC	HEAD SW	
	IC 32	AN7317	IC	PB&REC	
	IC 33	BU4094BCF-X	IC		
	L 301	QQR1118-001	OSC COIL(BIAS)		
	L 303	QQL244K-100Z	INDUCTOR		
	Q 101	DTC114TKA-X	TRANSISTOR	70U/12U	
	Q 103	DTC114TKA-X	TRANSISTOR	TAR	
	Q 201	DTC114TKA-X	TRANSISTOR	70U/12U	
	Q 203	DTC114TKA-X	TRANSISTOR	TAR	
	Q 302	2SC2001/K/-T	TRANSISTOR	OSC	
	Q 305	2SC2001/LK/-T	TRANSISTOR	SW	
	Q 321	DTC144EKA-X	TRANSISTOR	BUFFER	
	Q 331	DTC114TKA-X	TRANSISTOR		

△	Item	Parts number	Parts name	Remarks	Area
	Q 371	2SA952/LK/-T	TRANSISTOR	MOTER+B	
	Q 372	DTC124EKA-X	TRANSISTOR		
	Q 375	2SB562/C/-T	TRANSISTOR	SOLENOID DRIVE	
	Q 376	2SC2412K/RS/-X	CHIP TRANSISTOR		
	R 101	NRSA63J-220X	MG RESISTOR		
	R 102	NRSA63J-182X	MG RESISTOR		
	R 103	NRSA63J-242X	MG RESISTOR		
	R 104	NRSA63J-122X	MG RESISTOR		
	R 105	NRSA63J-104X	MG RESISTOR		
	R 106	NRSA63J-332X	MG RESISTOR		
	R 107	NRSA63J-123X	MG RESISTOR		
	R 108	NRSA63J-562X	MG RESISTOR		
	R 109	NRSA63J-102X	MG RESISTOR		
	R 110	NRSA63J-272X	MG RESISTOR		
	R 111	NRSA63J-363X	MG RESISTOR		
	R 112	NRSA63J-222X	MG RESISTOR		
	R 116	NRSA63J-102X	MG RESISTOR		
	R 121	NRSA63J-153X	MG RESISTOR		
	R 122	NRSA63J-102X	MG RESISTOR		
	R 201	NRSA63J-220X	MG RESISTOR		
	R 202	NRSA63J-182X	MG RESISTOR		
	R 203	NRSA63J-242X	MG RESISTOR		
	R 204	NRSA63J-122X	MG RESISTOR		
	R 205	NRSA63J-104X	MG RESISTOR		
	R 206	NRSA63J-332X	MG RESISTOR		
	R 207	NRSA63J-123X	MG RESISTOR		
	R 208	NRSA63J-562X	MG RESISTOR		
	R 209	NRSA63J-102X	MG RESISTOR		
	R 210	NRSA63J-272X	MG RESISTOR		
	R 211	NRSA63J-363X	MG RESISTOR		
	R 212	NRSA63J-222X	MG RESISTOR		
	R 216	NRSA63J-102X	MG RESISTOR		
	R 221	NRSA63J-153X	MG RESISTOR		
	R 222	NRSA63J-102X	MG RESISTOR		
	R 301	NRS181J-221X	MG RESISTOR		
	R 303	NRSA63J-393X	MG RESISTOR		
	R 304	NRS181J-101X	MG RESISTOR		
	R 305	NRSA63J-222X	MG RESISTOR		
	R 310	QRJ146J-4R7X	UNF C RESISTOR	4.7 5% 1/4W	
	R 313	NRSA63J-2R2X	MG RESISTOR		
	R 314	NRSA63J-153X	MG RESISTOR		
	R 315	NRSA63J-101X	MG RESISTOR		
	R 327	NRSA63J-474X	MG RESISTOR		
	R 335	NRSA63J-152X	MG RESISTOR		
	R 336	NRSA63J-472X	MG RESISTOR		
	R 337	NRSA63J-332X	MG RESISTOR		
	R 338	NRSA63J-392X	MG RESISTOR		
	R 339	NRSA63J-222X	MG RESISTOR		
	R 340	NRS181J-391X	MG RESISTOR		
	R 341	NRSA63J-123X	MG RESISTOR		
	R 342	NRSA63J-203X	MG RESISTOR		
	R 343	NRSA63J-183X	MG RESISTOR		
	R 345	NRSA63J-222X	MG RESISTOR		
△	R 353	QRZ9005-100X	F RESISTOR	10 1/0W	
	R 371	NRSA63J-123X	MG RESISTOR		
	R 372	NRSA63J-102X	MG RESISTOR		
	R 375	NRSA02J-151X	MG RESISTOR	1/8W	
	R 376	NRSA63J-472X	MG RESISTOR		
	VR 31	QVP0008-203Z	SEMI V RESISTOR	BIAS ADJ	
	VR 37	QVP0008-103Z	SEMI.V.RESISTOR	TAPE SPEED ADJ	

■ Electrical parts list (Cassette switch board) Block No. 08

△	Item	Parts number	Parts name	Remarks	Area
	CN 1	QGB2011L1-10	B TO B CONNECTO		
	D 1	1SR139-400-T2	SI DIODE		
	IC 1	SG-105F3-BB,C	PHOTO SENSER		
	P 1	QNZ0104-001	POST PIN		
	SW 1	QSW0832-001	LEAF SWITCH	R.REC	
	SW 2	QSW0832-001	LEAF SWITCH	TAPE	
	SW 4	QSW0832-001	LEAF SWITCH	70U	
	SW 5	QSW0832-001	LEAF SWITCH	F.REC	
	SW 6	QSW0859-001	DETECT SWITCH		

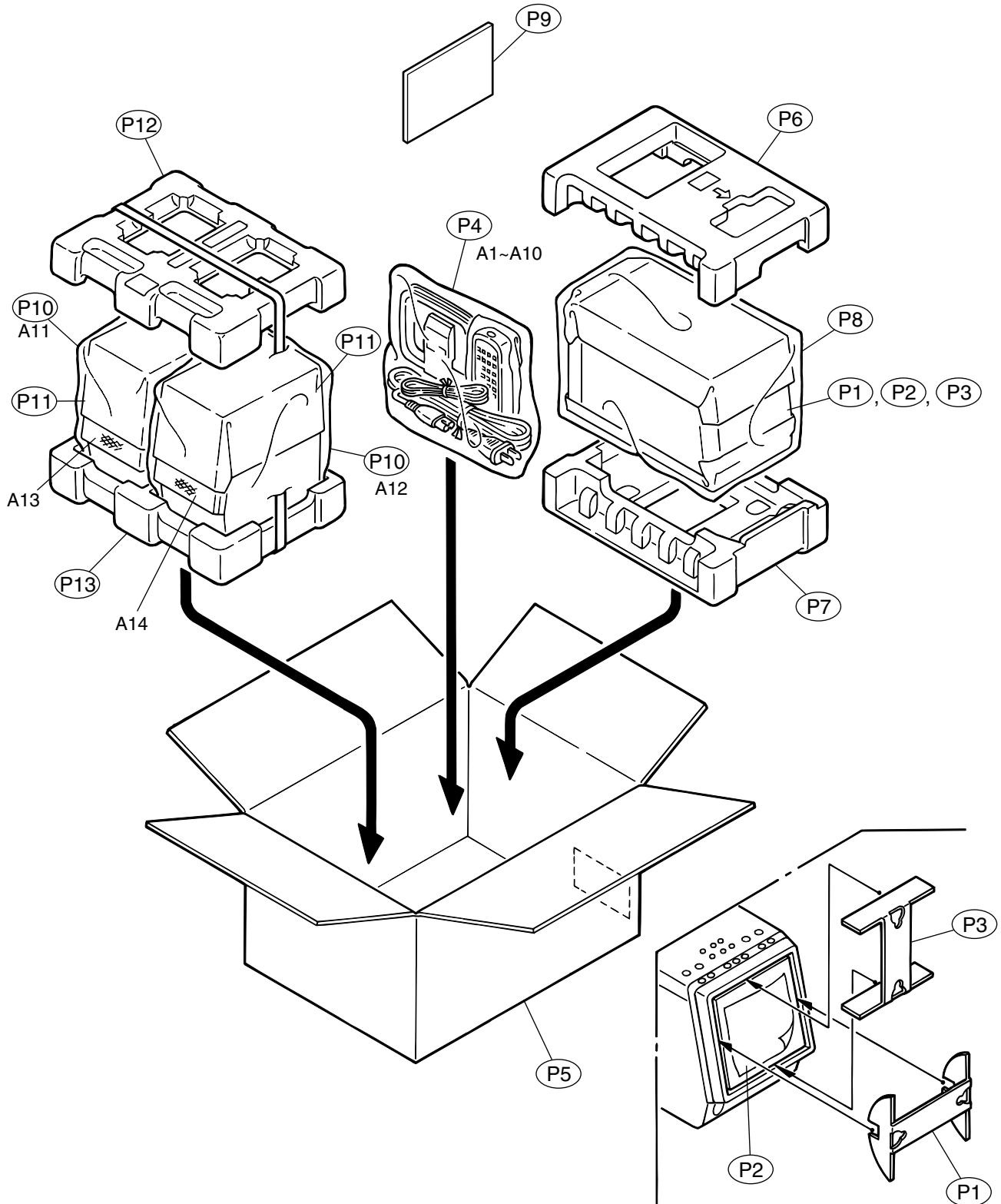
Packing materials and accessories parts list

Block No.

M	3	M	M
---	---	---	---

Block No.

M	5	M	M
---	---	---	---



■ Parts list (Packing)

Block No. M3MM

△	Item	Parts number	Parts name	Q'ty	Description	Area
	P 1	GV30228-002A	CARTON SPACER	1	COVER MOVING PA	
	P 2	GV40168-004A	SHEET	1	STICK AT C.SPAC	
	P 3	GV30229-001A	CARTON SPACER	1		
	P 4	QPC02503515P	POLY BAG	1	FOR INST	
	P 5	GV20150-001A	PACKING CASE	1	UX-F70MD	
		GV20149-001A	PACKING CASE	1	UX-F72MD	
	P 6	GV10087-001A	CUSHION(TOP)	1		
	P 7	GV10088-001A	CUSHION(BOTTOM)	1		
	P 8	QPC05005015P	POLY BAG	1	FOR SET	
	P 9	GV40256-001A	CORRUGATED SPAC	1	INSERT REAR(CUS	
	P 10	700-120070-10	POLY BAG	2	FOR SPK	
	P 11	715-250035-00	MIRROR MAT	2	FOR SPK	
	P 12	720-TUXF70-00	TOP CUSHION	1	FOR SPK	
	P 13	720-BUXF70-00	BOTTOM CUSHION	1	FOR SPK	

■ Parts list (Accessories)

Block No. M5MM

△	Item	Parts number	Parts name	Q'ty	Description	Area
	A 1	EWP503-001C	ANT.WIRE	1		
	A 2	QAL0014-001	AM LOOP ANT	1		
	A 3	GVT0061-011A	INST BOOK	1	ENG CHI	UF
		GVT0061-003A	INST BOOK	1	ENG CHI	UB
△	A 4	QMPS020-183-JC	POWER CORD	1		UF
△		QMPP060-183-JD	POWER CORD	1		UB
	A 5	RM-SUXF70MDU	REMOCON	1		
	A 6	-----	BATTERY	2		
	A 7	GV30024-031A	UB SHEET	1	UX-F70MD	UB
		GV30024-030A	UB SHEET	1	UX-F72MD	UB
	A 8	GV40137-001A	SIDE SPACER	2		
	A 9	BT-59012-1	SERVICE NETWORK	1		UF
	A 10	BT-59011-2	WARRANTY CARD	1		UF
	A 11	UXF70MDK-SPK-L	SPEAKER BOX	1	UX-F70MD	
		UXF72MDK-SPK-L	SPEAKER BOX	1	UX-F72MD	
	A 12	UXF72MDK-SPK-R	SPEAKER BOX	1	UX-F72MD	
		UXF70MDK-SPK-R	SPEAKER BOX	1	UX-F70MD	
	A 13	201-0070US-10	SARAN BOARD	1	UX-F70MD	
		201-02XF72-10	SARAN BOARD	1	UX-F72MD	
	A 14	201-1070US-10	SARAN BOARD	1	UX-F70MD	
		201-12XF72-10	SARAN BOARD	1	UX-F72MD	